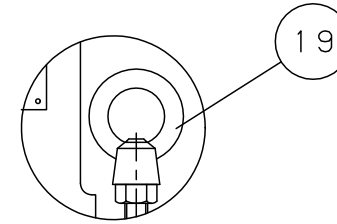


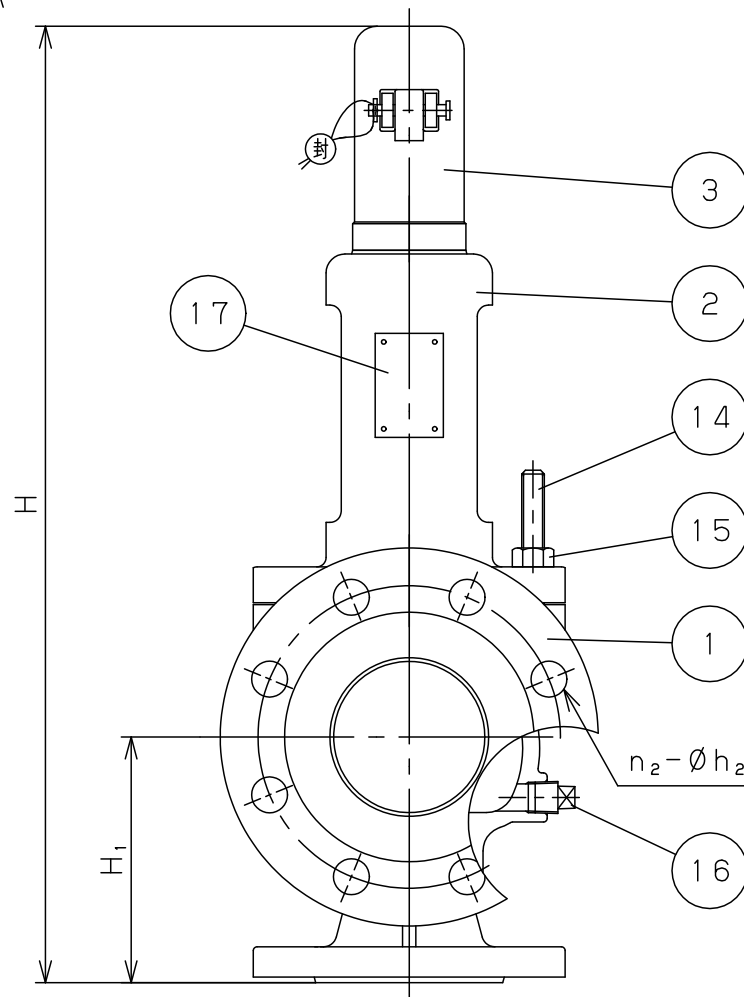
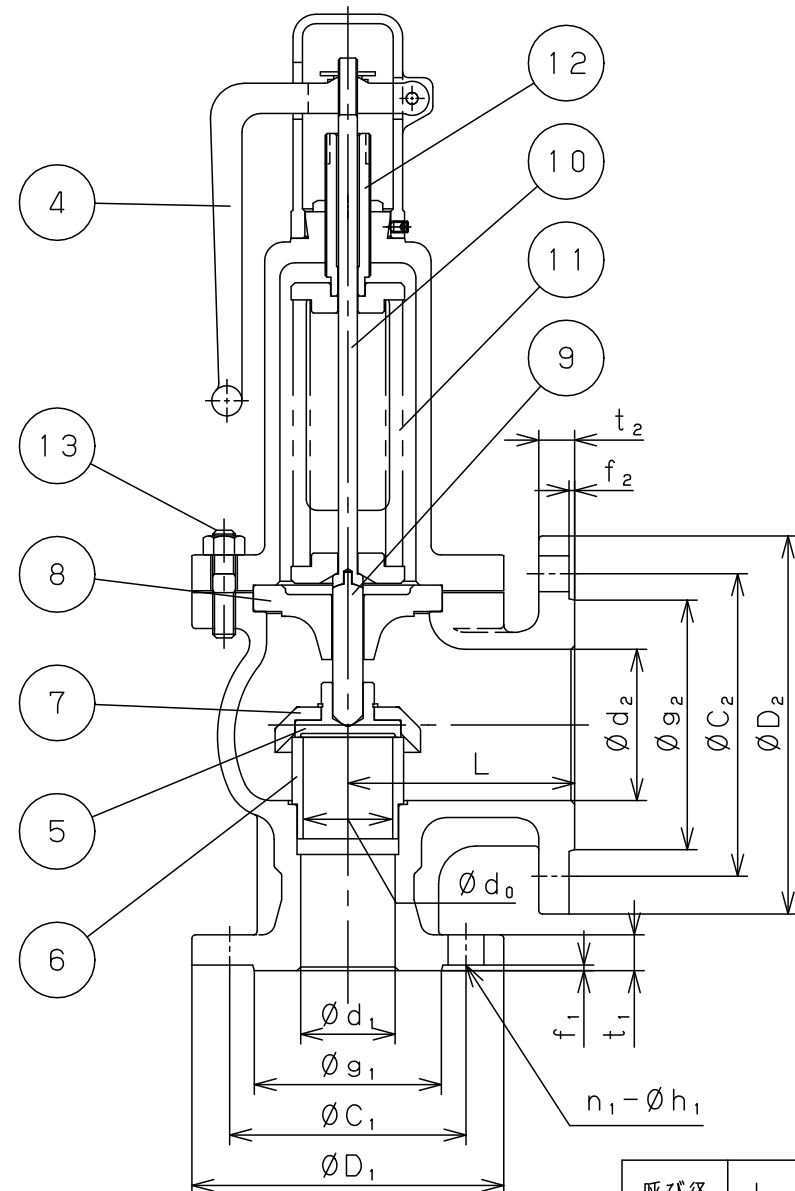
80, 100A



50-100A

Caution

This drawing may contain information like the covert intelligence etc. legally defended.
 Disclosing the content of this drawing and information etc. for the production of trial product and mass-produced goods or to the third party are prohibited.
 Yoshitake inc.



19	Eye Nut	Steel	アイナット	Steel	0or2
18	Lever Support	Ductile Cast Iron or Cast Iron	レバー支え	FCD450 or FC200	0or1
17	Name Plate	Stainless Steel	ネームプレート	SUS	1
16	Square Head Plug	Steel	四角頭プラグ	Steel	1
15	Hexagon Nut	Steel	六角ナット	Steel	4or8or10
14	Stud Bolt	Steel	植込みボルト	Steel	2
13	Stud Bolt	Steel	植込みボルト	Steel	2or4or6
12	Adjusting Screw	Brass	調節ねじ	Brass	1
11	Spring	Alloy Steel or Spring Steel	ばね	SWOSC or SUP	1
10	Spindle B	Stainless Steel	弁棒B	SUS	1
9	Spindle A	Stainless Steel	弁棒A	SUS	1
8	Guide Plate	Ductile Cast Iron	ガイドプレート	FCD450	1
7	Valve Cover	Stainless Steel	弁体カバー	SUS	1
6	Valve Seat	Stainless Steel	弁座	SUS	1
5	Valve	Stainless Steel	弁体	SUS	1
4	Lever	Ductile Cast Iron or Cast Iron	レバー	FCD450 or FC200	1
3	Cap	Ductile Cast Iron	キャップ	FCD450	1
2	Spring Chamber	Ductile Cast Iron	保護筒	FCD450	1
1	Body	Ductile Cast Iron	本体	FCD450	1
No.	Name of Parts	Material	部品名	材質	Q. TY

Specification	
Fluid	
Set Press.	MPa
Temp.	℃
Flow Rate	

呼び径	L	H ₁	H	d ₀	入口:EN PN16 RF								出口:EN PN16 RF								質量 (kg)
					d ₁	D ₁	C ₁	g ₁	t ₁	f ₁	n ₁	h ₁	d ₂	D ₂	C ₂	g ₂	t ₂	f ₂	n ₂	h ₂	
20A	85	85	360	18.5	20	105	75	56	16	2	4	14	32	140	100	76	18	3	4	19	10
25A	100	100	375	23	25	115	85	65	16	3	4	14	40	150	110	84	19	3	4	19	11
32A	105	110	450	29.5	32	140	100	76	18	3	4	19	50	165	125	99	19	3	4	19	15
40A	115	125	470	36.5	40	150	110	84	19	3	4	19	65	185	145	118	19	3	8	19	17
50A	120	130	510	46	50	165	125	99	19	3	4	19	80	200	160	132	19	3	8	19	24
65A	140	160	680	59.5	65	185	145	118	19	3	8	19	100	220	180	156	19	3	8	19	38
80A	160	180	785	73	80	200	160	132	19	3	8	19	125	250	210	184	19	3	8	19	53
100A	180	200	895	91	100	220	180	156	19	3	8	19	150	285	240	211	19	3	8	23	78

TYPE AF-10EN FULL BORE SAFETY VALVE
 全量式安全弁

Approval	H. Mizuno
Check	T. Kitajima
Drawing	H. Ishihara
Drawing No.	Y-1370-2246-1B
Date	6 APR.2023

