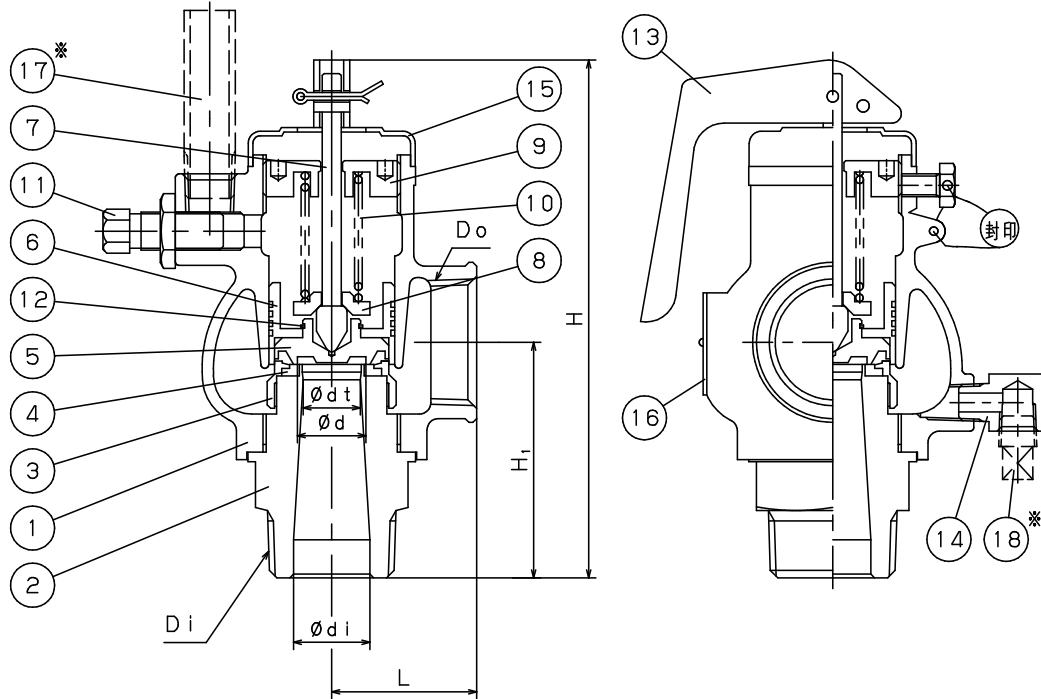


参考図面



※ No.17, 18 : Accessory Parts

※ 18	Plug	Steel	プラグ	Steel	1
※ 17	Pipe	Carbon Steel Pipe	背圧パイプ	SGP	1
16	Name Plate	Stainless Steel	銘板	SUS304	1
15	Cover	Stainless Steel	カバー	SUS430	1
14	Elbow	Brass	エルボ	C3604	1
13	Lever	Stainless Steel	レバー	SUS430	1
12	Retaining Ring C TYPE	Stainless Steel	C形止め輪	SUS	1
11	Needle Valve	Brass	背圧絞り弁	C3604	1
10	Spring	Piano Wire or Alloy Steel	調節ばね	SWP or SWOSC	1
9	Adjusting Screw	Brass	調節ねじ	C3604	1
8	Spring Plate	Brass	ばね受	C3604	1
7	Spindle	Stainless Steel	弁棒	SUS403	1
6	Valve Guide	Brass	弁体ガイド	C3604	1
5	Valve	Stainless Steel	弁体	SUS304	1
4	Disc	PTFE	ディスク	PTFE	1
3	Washer of Disc	Brass	ディスク押え	C3604	1
2	Valve Seat	Bronze	弁座	CAC406	1
1	Spring Chamber	Bronze	ばね箱	CAC406	1
No.	Name of Parts	Material	部品名	材質	Q. TY

(mm)

Size	dt	d	LIFT	di	Di	Do	L	Hi	H	No.14 Elbow	Weight (kg)
20A	15	18	3.3	20	R 1	Rc 1	38	61	136	R 1/8	1.3
25A	19	22	4.4	25	R 1 1/4	Rc 1 1/4	45	70	157	R 1/8	1.9
32A	24	28	5.5	32	R 1 1/2	Rc 1 1/2	52	80	183	R 1/8	2.8
40A	30	35	6.8	40	R 2	Rc 2	65	98	216	R 1/8	5.2

TYPE AF-5B-1 FULL BORE SAFETY VALVE
 全量式安全弁

Approval	T. Watanabe
Check	T. Nagasaka
Drawing	T. Mori
Drawing No.	Y-723-1701-28A
Date	19 MAY. 2023