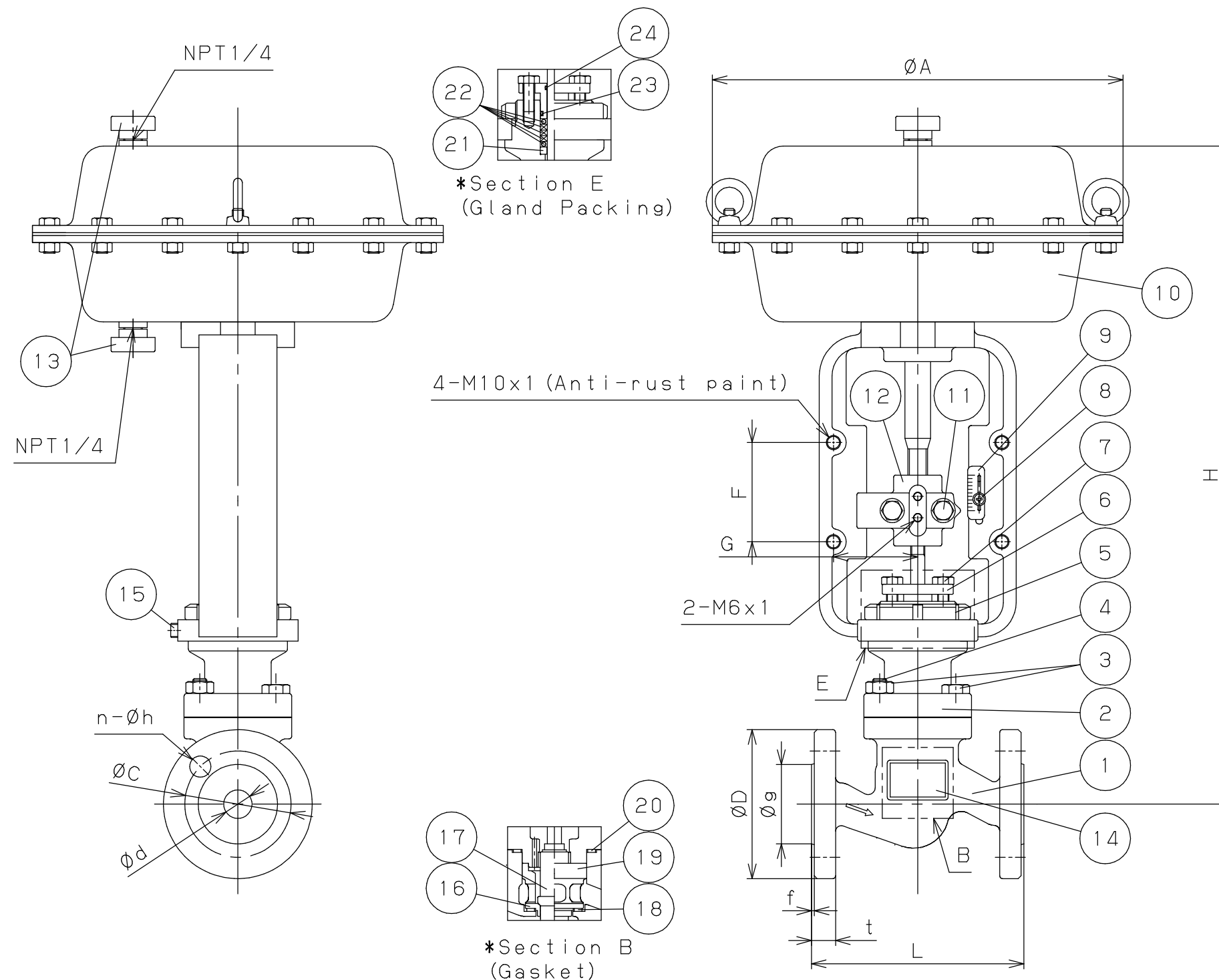


Caution
 This drawing may contain information like the covert intelligence etc. legally defended.
 The duplication, the drawing transcription, and disclosing the content or information etc. to the third party are prohibited.
 Yoshitake inc.



***Section E (Gland Packing etc.)**

| | | | |
|-----|----------------|-----------------|-------|
| No. | Name of Parts | Materials | Q. TY |
| 24 | O-ring (Small) | FKM | 1 |
| 23 | O-ring (Large) | FKM | 1 |
| 22 | Gland Packing | Graphite etc. | 1set |
| 21 | Packing Washer | Stainless Steel | 1 |

***Section B (Gasket etc.)**

| | | | |
|-----|---------------|----------------------------|-------|
| No. | Name of Parts | Materials | Q. TY |
| 20 | Gasket (UPR) | Graphite + Stainless Steel | 1 |
| 19 | Cage | Cast Stainless Steel | 1 |
| 18 | Gasket (LWR) | Graphite + Stainless Steel | 1 |
| 17 | Valve + Stem | Stainless Steel | 1 |
| 16 | Valve Seat | Stainless Steel | 1 |

| | | | |
|-----|--------------------|---------------------|-------|
| No. | Name of Parts | Materials | Q. TY |
| 15 | Lock Bolt | Steel | 1 |
| 14 | Name Plate | Stainless Steel | 1 |
| 13 | Rubber Cap | ABS | 1 |
| 12 | Connector | Steel | 1set |
| 11 | Connector Bolt Set | Steel | 1set |
| 10 | Actuator Body | Steel etc. | 1 |
| 9 | Indicator | Aluminum | 1 |
| 8 | Indicator Bolt Set | Stainless Steel etc | 1set |
| 7 | Gland Bolt | Stainless Steel | 2 |
| 6 | Packing Plug | Stainless Steel | 1 |
| 5 | Bonnet Nut | Steel | 1 |
| 4 | Stud Bolt | 15/20A Steel | 1set |
| 3 | Nut Bolt | 15/20A Steel | 1set |
| | | 25-50A Steel | 1set |
| 2 | Bonnet | Ductile Cast Iron | 1 |
| 1 | Body | Ductile Cast Iron | 1 |

(mm)

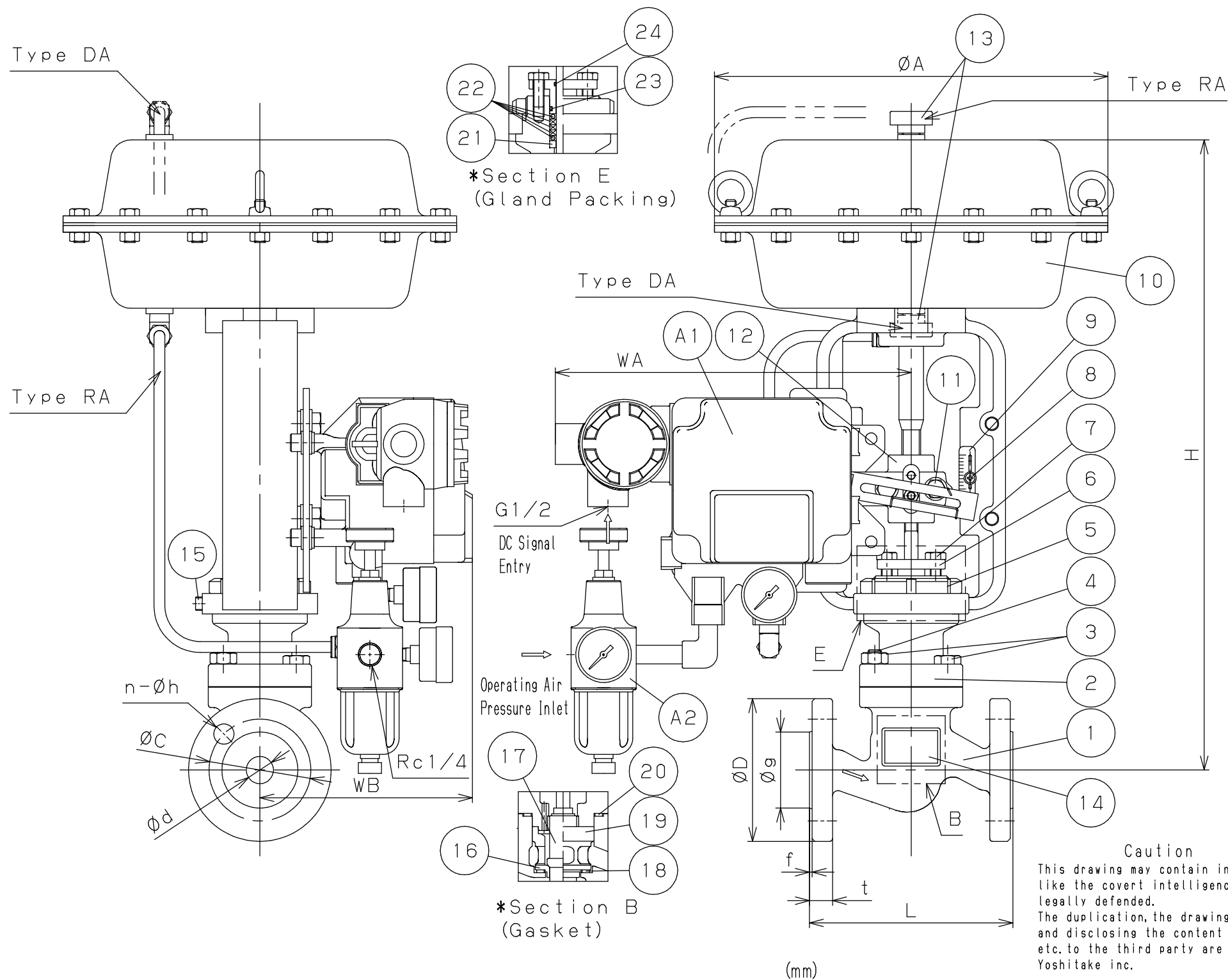
| Size | L | H | A | F | G | Flange BSEN PN16/25 | | | | | | Stroke | Weight (kg) | |
|------|-----|-----|-----|----|----|---------------------|-----|-----|----|----|---|--------|-------------|-----|
| | | | | | | d | D | C | g | t | f | | | n-h |
| 15A | 130 | 464 | 290 | 70 | 60 | 15 | 95 | 65 | 46 | 14 | 2 | 4-14 | 25 | 19 |
| 20A | 150 | 464 | 290 | 70 | 60 | 20 | 105 | 75 | 56 | 16 | 2 | 4-14 | 25 | 20 |
| 25A | 160 | 464 | 290 | 70 | 60 | 25 | 115 | 85 | 65 | 16 | 3 | 4-14 | 25 | 21 |
| 32A | 180 | 465 | 290 | 70 | 60 | 32 | 140 | 100 | 76 | 18 | 3 | 4-19 | 25 | 23 |
| 40A | 200 | 468 | 290 | 70 | 60 | 40 | 150 | 110 | 84 | 19 | 3 | 4-19 | 25 | 25 |
| 50A | 230 | 576 | 360 | 80 | 79 | 50 | 165 | 125 | 99 | 19 | 3 | 4-19 | 40 | 38 |

| Specification | |
|---------------|-----|
| Fluid | |
| Inlet Press. | MPa |
| Outlet Press. | MPa |
| Temp. | ℃ |
| Flow Rate | |

CT-100
 Control Valve (W/O Positioner)

| | |
|-------------|----------------|
| Approval | K. Yasuda |
| Check | G. Tomita |
| Drawing | M. Gotoh |
| Drawing No. | Y-1378-2246-1A |
| Date | 1 DEC. 2023 |

YOSHITAKE



Caution
 This drawing may contain information like the covert intelligence etc. legally defended.
 The duplication, the drawing transcription, and disclosing the content or information etc. to the third party are prohibited.
 Yoshitake inc.

***Positioner Option**

| | | | |
|-----|----------------|---------------|------|
| A2 | Air Regulator | Aluminum etc. | 1set |
| A1 | E/P Positioner | Aluminum etc. | 1set |
| No. | Name of Parts | Materials | Q.TY |

***Section E (Gland Packing etc.)**

| | | | |
|-----|----------------|-----------------|------|
| 24 | O-ring (Small) | FKM | 1 |
| 23 | O-ring (Large) | FKM | 1 |
| 22 | Gland Packing | Graphite etc. | 1set |
| 21 | Packing Washer | Stainless Steel | 1 |
| No. | Name of Parts | Materials | Q.TY |

***Section B (Gasket etc.)**

| | | | |
|-----|---------------|----------------------------|------|
| 20 | Gasket (UPR) | Graphite + Stainless Steel | 1 |
| 19 | Cage | Cast Stainless Steel | 1 |
| 18 | Gasket (LWR) | Graphite + Stainless Steel | 1 |
| 17 | Valve + Stem | Stainless Steel | 1 |
| 16 | Valve Seat | Stainless Steel | 1 |
| No. | Name of Parts | Materials | Q.TY |

| | | | |
|-----|--------------------|----------------------|------|
| 15 | Lock Bolt | Steel | 1 |
| 14 | Name Plate | Stainless Steel | 1 |
| 13 | Rubber Cap | ABS | 1 |
| 12 | Connector | Steel | 1set |
| 11 | Connector Bolt Set | Steel | 1set |
| 10 | Actuator Body | Steel etc. | 1 |
| 9 | Indicator | Aluminum | 1 |
| 8 | Indicator Bolt Set | Stainless Steel etc. | 1set |
| 7 | Gland Bolt | Stainless Steel | 2 |
| 6 | Packing Plug | Stainless Steel | 1 |
| 5 | Bonnet Nut | Steel | 1 |
| 4 | Stud Bolt | 15/20A Steel | 1set |
| 3 | Nut | 15/20A | 1set |
| | | 25-50A | 1set |
| 2 | Bonnet | Ductile Cast Iron | 1 |
| 1 | Body | Ductile Cast Iron | 1 |
| No. | Name of Parts | Materials | Q.TY |

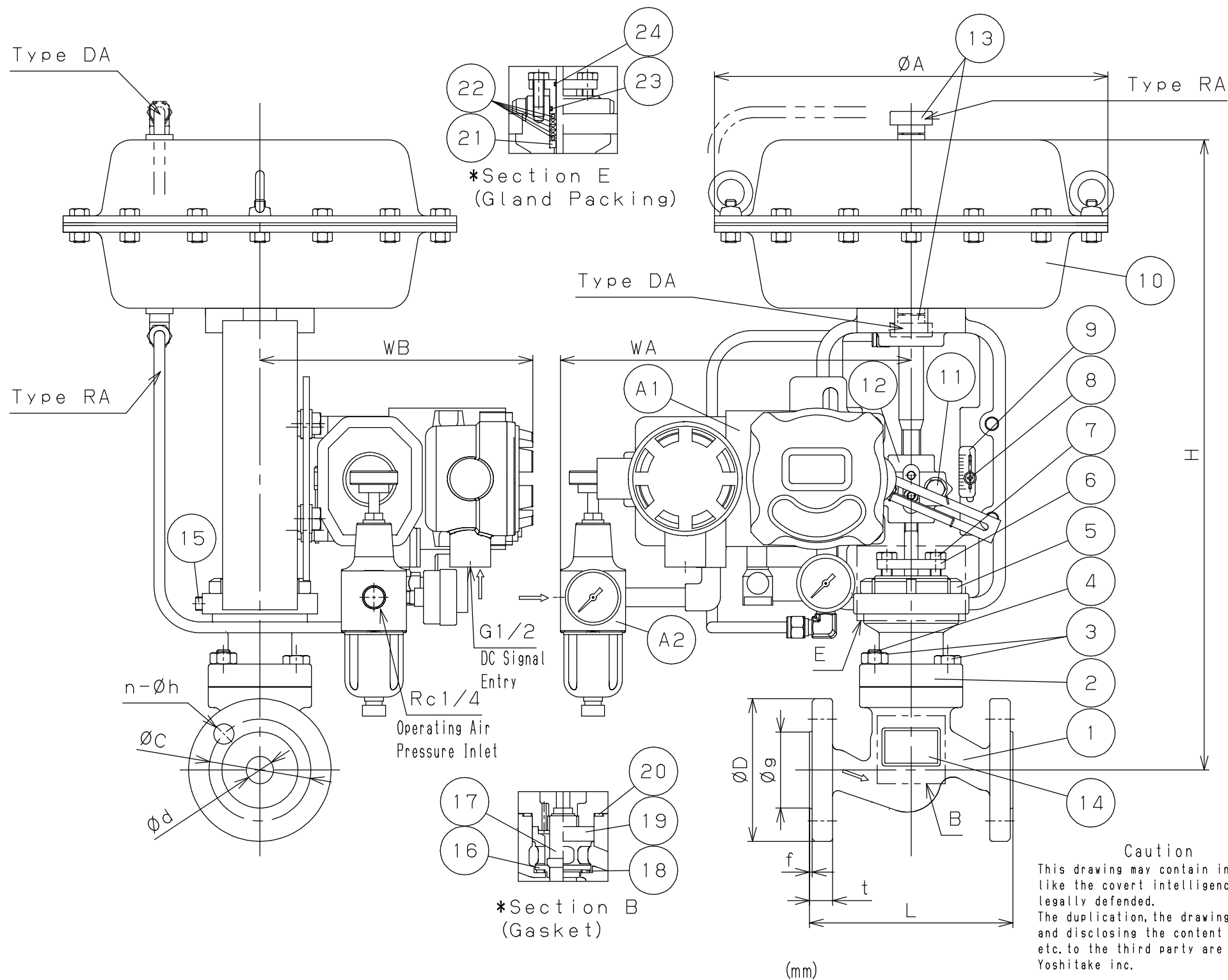
| Size | L | H | A | WA | WB | Flange BSEN PN16/25 | | | | | | | Stroke | Weight (kg) |
|------|-----|-----|-----|-----|-----|---------------------|-----|-----|----|----|---|------|--------|-------------|
| | | | | | | d | D | C | g | t | f | n-h | | |
| 15A | 130 | 464 | 290 | 262 | 157 | 15 | 95 | 65 | 46 | 14 | 2 | 4-14 | 25 | 23 |
| 20A | 150 | 464 | 290 | 262 | 157 | 20 | 105 | 75 | 56 | 16 | 2 | 4-14 | 25 | 24 |
| 25A | 160 | 464 | 290 | 262 | 157 | 25 | 115 | 85 | 65 | 16 | 3 | 4-14 | 25 | 25 |
| 32A | 180 | 465 | 290 | 262 | 157 | 32 | 140 | 100 | 76 | 18 | 3 | 4-19 | 25 | 27 |
| 40A | 200 | 468 | 290 | 262 | 157 | 40 | 150 | 110 | 84 | 19 | 3 | 4-19 | 25 | 29 |
| 50A | 230 | 576 | 360 | 281 | 160 | 50 | 165 | 125 | 99 | 19 | 3 | 4-19 | 40 | 42 |

| Specification | |
|---------------|-----|
| Fluid | |
| Inlet Press. | MPa |
| Outlet Press. | MPa |
| Temp. | °C |
| Flow Rate | |

CT-100
Control Valve (E/P Positioner)

| | |
|-------------|----------------|
| Approval | K. Yasuda |
| Check | G. Tomita |
| Drawing | M. Gotoh |
| Drawing No. | Y-1378-2246-2A |
| Date | 1 DEC. 2023 |

YOSHITAKE



***Positioner Option**

| | | | |
|-----|------------------|---------------|------|
| A2 | Air Regulator | Aluminum etc. | 1set |
| A1 | Smart Positioner | Aluminum etc. | 1set |
| No. | Name of Parts | Materials | Q.TY |

***Section E (Gland Packing etc.)**

| | | | |
|-----|----------------|-----------------|------|
| 24 | O-ring (Small) | FKM | 1 |
| 23 | O-ring (Large) | FKM | 1 |
| 22 | Gland Packing | Graphite etc. | 1set |
| 21 | Packing Washer | Stainless Steel | 1 |
| No. | Name of Parts | Materials | Q.TY |

***Section B (Gasket etc.)**

| | | | |
|-----|---------------|----------------------------|------|
| 20 | Gasket (UPR) | Graphite + Stainless Steel | 1 |
| 19 | Cage | Cast Stainless Steel | 1 |
| 18 | Gasket (LWR) | Graphite + Stainless Steel | 1 |
| 17 | Valve + Stem | Stainless Steel | 1 |
| 16 | Valve Seat | Stainless Steel | 1 |
| No. | Name of Parts | Materials | Q.TY |

| | | | |
|-----|--------------------|----------------------|------|
| 15 | Lock Bolt | Steel | 1 |
| 14 | Name Plate | Stainless Steel | 1 |
| 13 | Rubber Cap | ABS | 1 |
| 12 | Connector | Steel | 1set |
| 11 | Connector Bolt Set | Steel | 1set |
| 10 | Actuator Body | Steel etc. | 1 |
| 9 | Indicator | Aluminum | 1 |
| 8 | Indicator Bolt Set | Stainless Steel etc. | 1set |
| 7 | Gland Bolt | Stainless Steel | 2 |
| 6 | Packing Plug | Stainless Steel | 1 |
| 5 | Bonnet Nut | Steel | 1 |
| 4 | Stud Bolt | 15/20A Steel | 1set |
| 3 | Nut | 15/20A | 1set |
| | | 25-50A | 1set |
| 2 | Bonnet | Ductile Cast Iron | 1 |
| 1 | Body | Ductile Cast Iron | 1 |
| No. | Name of Parts | Materials | Q.TY |

Caution
 This drawing may contain information like the covert intelligence etc. legally defended.
 The duplication, the drawing transcription, and disclosing the content or information etc. to the third party are prohibited.
 Yoshitake inc.

(mm)

| Size | L | H | A | WA | WB | Flange BSEN PN16/25 | | | | | | Stroke | Weight (kg) | |
|------|-----|-----|-----|-----|-----|---------------------|-----|-----|----|----|---|--------|-------------|-----|
| | | | | | | d | D | C | g | t | f | | | n-h |
| 15A | 130 | 464 | 290 | 259 | 201 | 15 | 95 | 65 | 46 | 14 | 2 | 4-14 | 25 | 24 |
| 20A | 150 | 464 | 290 | 259 | 201 | 20 | 105 | 75 | 56 | 16 | 2 | 4-14 | 25 | 25 |
| 25A | 160 | 464 | 290 | 259 | 201 | 25 | 115 | 85 | 65 | 16 | 3 | 4-14 | 25 | 26 |
| 32A | 180 | 465 | 290 | 259 | 201 | 32 | 140 | 100 | 76 | 18 | 3 | 4-19 | 25 | 28 |
| 40A | 200 | 468 | 290 | 259 | 201 | 40 | 150 | 110 | 84 | 19 | 3 | 4-19 | 25 | 30 |
| 50A | 230 | 576 | 360 | 278 | 204 | 50 | 165 | 125 | 99 | 19 | 3 | 4-19 | 40 | 43 |

| Specification | |
|---------------|-----|
| Fluid | |
| Inlet Press. | MPa |
| Outlet Press. | MPa |
| Temp. | °C |
| Flow Rate | |

CT-100
 Control Valve (Smart Positioner)

| | |
|-------------|----------------|
| Approval | K. Yasuda |
| Check | G. Tomita |
| Drawing | M. Gotoh |
| Drawing No. | Y-1378-2246-3A |
| Date | 1 DEC. 2023 |

YOSHITAKE