

MD-35R

RED MAN
ULTRA-HIGH PERFORMANCE SOLENOID

- Two way
 - Three way
 - Full bore
 - Reduced bore
- Stainless steel

■Features

1. Outdoor, rainproof structure (IP65 specified in JIS C 0920).
2. Starts and stops are quick and accurate, and the indication of the working position can be checked.
3. Smoothly opens and closes, preventing water hammer by the fluid and ensuring complete sealing.
4. Manually operable.
5. A space heater is incorporated to prevent dew condensation (0.5 W).



■Specifications

Application	Cold and hot water, Air	
Working pressure	0-1.0 MPa	
Application temperature	-10-80°C (no freeze condition)	
Ambient temperature	-20-50 (60)°C *	
Rated voltage	AC 100 / 110 V (50 / 60 Hz common)	
	AC 200 / 220 V (50 / 60 Hz common)	
Power consumption	8 VA	
Operation	Diverting	
Operation angle	90° Positive & Negative rotation	
Opening and closing time	7.5 / 6.3 sec. (50 / 60 Hz)	
Percentage duty cycle	20% 15 min	
Manual operation	Possible	
Protective structure	Dust and water proof structure	
Valve shape	Reduced bore	
Material	Body	Brass
	Ball	Brass (Hcr-plated)
	Seat	Fluorine resin
Connection	A · B: JIS Rc screwed C: JIS R screwed	

* The ambient temperature of 60°C depends on the frequency of operation and the temperature of the fluid. Please contact us.

- Valve (ball) is opened between B to C upon shipment from the factory.
- Any flow directions are available.

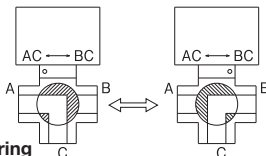
■Dimensions (mm) and Weights (kg)

Nominal size	L	H	h ₁	Port size	Weight
15A	58	96	29.5	9	0.6
20A	63	98	32	12	0.7
25A	71	102	38	15	0.9

· Cv value

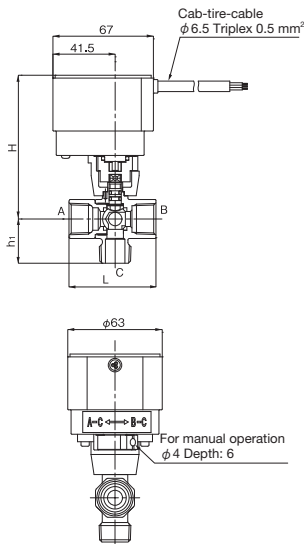
Nominal size	Cv value
15A	3
20A	6
25A	8

· Switch direction

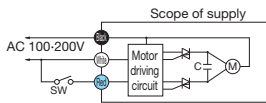


■At the Time of Ordering

Please specify model, size, and also rated voltage.



■Connecting Diagram



When SW is OFF, the valve closes. (A-C)
When SW is ON, the valve opens. (B-C)
Note) This valve may not be available if the switch is semiconductor such as triac.

11 Solenoid Valve/Motor Valve