

# MD-36R

**RED MAN™**  
 ULTRA-HIGH PERFORMANCE SOLENOID

Two way

Three way

Full bore

Reduced bore

Stainless steel



## ■Features

1. Outdoor, rainproof structure (IP65 specified in JIS C 0920).
2. Starts and stops are quick and accurate, and the indication of the working position can be checked.
3. Smoothly opens and closes, preventing water hammer by the fluid and ensuring complete sealing.
4. Manually operable.
5. A space heater is incorporated to prevent dew condensation (0.5 W).
6. Superior in durability: no motor burnout by function of the timer for motor protection.

## ■Specifications

Application	Air, Cold and hot water	
Working pressure	0-1.0 MPa	
Application temperature	-10-80°C (no freeze condition)	
Ambient temperature	-20-50 (60)°C *	
Rated voltage	AC 100 / 110 V 50 / 60 Hz common AC 200 / 220 V 50 / 60 Hz common	
Power consumption	8 VA	
Operation	ON-OFF	
Operation angle	90° Positive & Negative rotation	
Opening and closing time	7.5/6.3 seconds (50/60Hz)	
Percentage duty cycle	20% 15 min.	
Manual operation	Possible	
Protective structure	Rainproof structure at the outdoor	
Valve shape	Reduced bore	
Material	Body	Brass
	Ball	Brass (Hcr plated)
	Seat	PTFE
	Connection	JIS Rc screwed

\* The ambient temperature of 60°C depends on the frequency of operation and the temperature of the fluid. Please contact us.

- Valve (ball) is opened upon shipment from the factory.
- Any flow directions are available.

## ■Dimensions (mm) and Weights (kg)

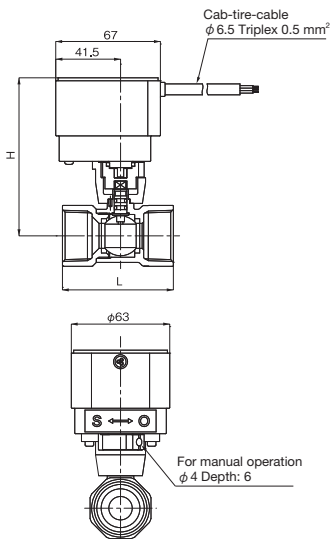
Nominal size	L	H	Bore	Weight
15A	58	96	10	0.6
20A	63	98	12.5	0.7
25A	71	102	15	0.8

### · Cv value

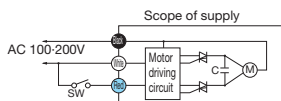
Nominal size	Cv value
15A	6
20A	11
25A	15

## ■At the Time of Ordering

Please specify model, size, and also rated voltage.



## ■Connecting Diagram



When SW is OFF, the valve closes.  
When SW is ON, the valve opens.

Note) This valve may not be available if the switch is semiconductor such as triac.