

Caution
 This drawing may contain information like the covert intelligence etc. legally defended. Disclosing the content of this drawing and information etc. for the production of trial product and mass-produced goods or to the third party are prohibited. Yoshitake inc.

| | | | | | |
|-----|---------------|----------------------|-----------|----------|-------|
| 10 | Name Plate | Aluminium | 銘板 | A1050P | 1 |
| 9 | Heating Cover | Carbon Steel | 保温カバー | SPC | 1 |
| 8 | Strainer Cap | Stainless Steel | ストレーナキャップ | SUS304 | 1 |
| 7 | Gasket | Stainless Steel | ガスケット | SUS304 | 1 |
| 6 | Strainer | Stainless Steel | ストレーナ | SUS304 | 1 |
| 5 | Bi-Metal | — | バイメタル | — | 1 |
| 4 | Ring | Stainless Steel | リング | SUS304 | 1 |
| 3 | Disc | Stainless Steel | ディスク | SUS420J2 | 1 |
| 2 | Cap A | Stainless Steel | キャップ A | SUS304 | 1 |
| 1 | Body | Cast Stainless Steel | 本体 | SCS2A | 1 |
| No. | Name of Parts | Material | 部品名 | 材質 | Q. TY |

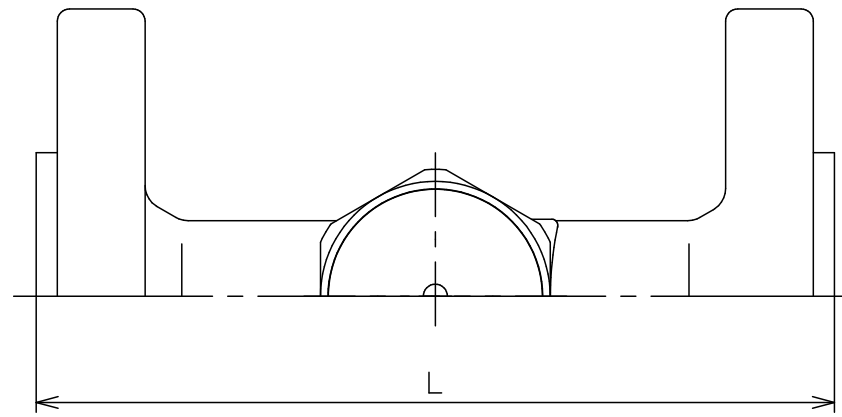
| size | L | H | d | Flange ASME (ANSI) 150lb | | | | | | Weight (kg) |
|------|-----|----|----|--------------------------|------|------|------|---|------|-------------|
| | | | | D | C | g | t | f | n-Øh | |
| 15 | 122 | 53 | 15 | 90 | 60.3 | 34.9 | 9.6 | 2 | 4-16 | 1.5 |
| 20 | 125 | 55 | 20 | 100 | 69.9 | 42.9 | 11.2 | 2 | 4-16 | 2.0 |
| 25 | 128 | 59 | 25 | 110 | 79.4 | 50.8 | 12.7 | 2 | 4-16 | 2.6 |

| Specification | |
|---------------|-----|
| Fluid | |
| Press. | MPa |
| Temp. | ℃ |

TYPE TSD-42F STEAM TRAP
 スチームトラップ

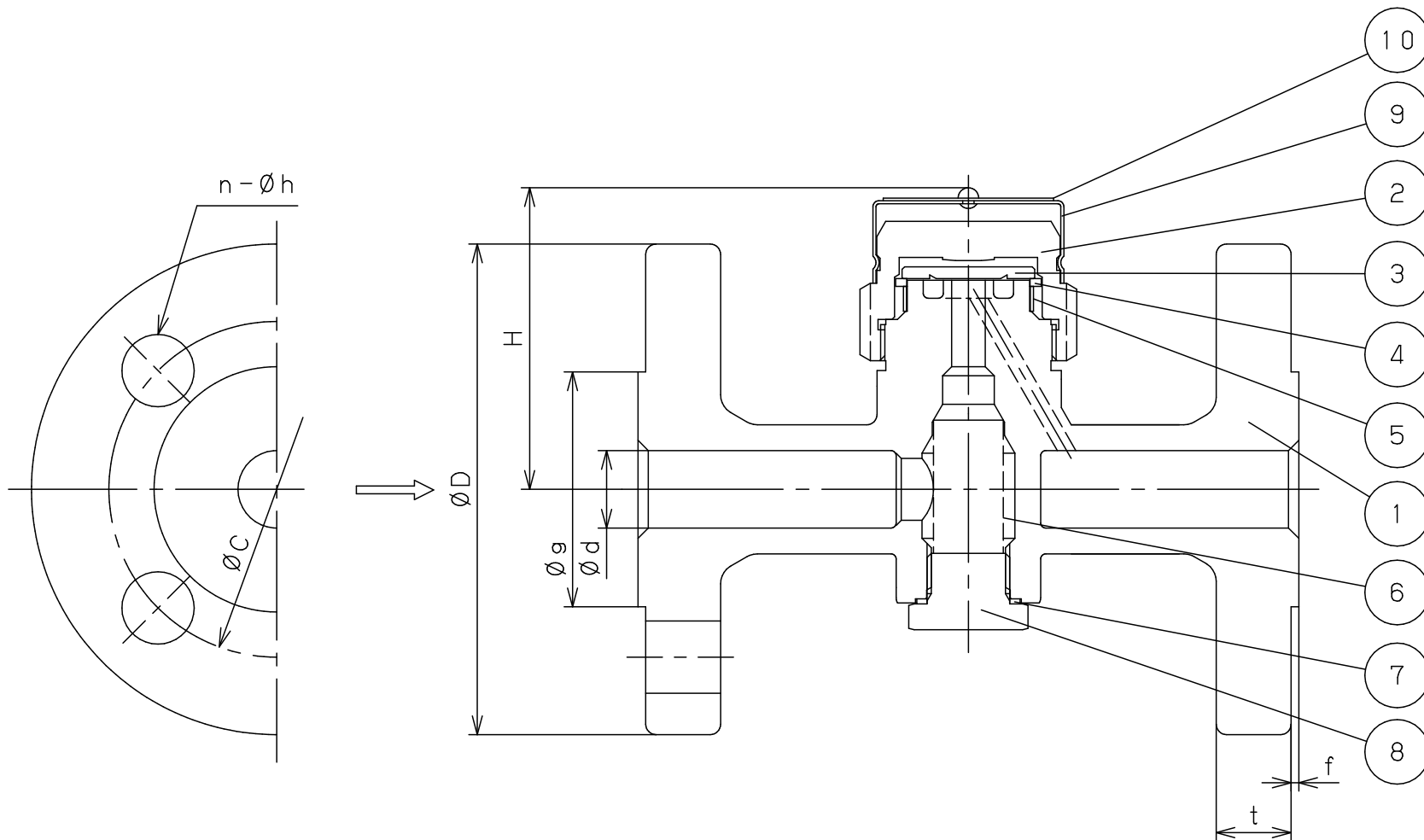
| | |
|------------|----------------|
| Approval | T. Shinjo |
| Check | T. Kitajima |
| Drawing | Y. Wakamatsu |
| Drawing No | Y-1300-3626-1A |
| Date | 15 JAN. 2020 |





Caution

This drawing may contain information like the covert intelligence etc. legally defended. Disclosing the content of this drawing and information etc. for the production of trial product and mass-produced goods or to the third party are prohibited. Yoshitake inc.



| | | | | | |
|-----|---------------|----------------------|-----------|----------|-------|
| 10 | Name Plate | Aluminium | 銘板 | A1050P | 1 |
| 9 | Heating Cover | Carbon Steel | 保温カバー | SPC | 1 |
| 8 | Strainer Cap | Stainless Steel | ストレーナキャップ | SUS304 | 1 |
| 7 | Gasket | Stainless Steel | ガスケット | SUS304 | 1 |
| 6 | Strainer | Stainless Steel | ストレーナ | SUS304 | 1 |
| 5 | Bi-Metal | — | バイメタル | — | 1 |
| 4 | Ring | Stainless Steel | リング | SUS304 | 1 |
| 3 | Disc | Stainless Steel | ディスク | SUS420J2 | 1 |
| 2 | Cap A | Stainless Steel | キャップ A | SUS304 | 1 |
| 1 | Body | Cast Stainless Steel | 本体 | SCS2A | 1 |
| No. | Name of Parts | Material | 部品名 | 材質 | Q. TY |

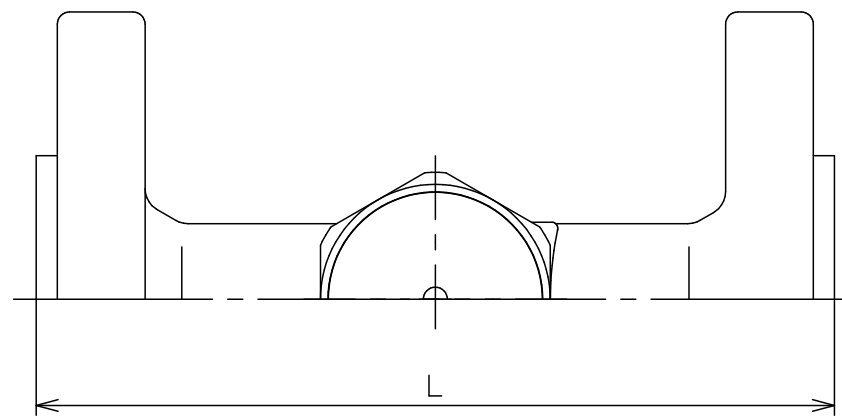
| size | L | H | d | Flange ASME (ANSI) 300lb | | | | | | Weight (kg) |
|------|-----|----|----|--------------------------|------|------|------|---|------|-------------|
| | | | | D | C | g | t | f | n-Øh | |
| 15 | 128 | 53 | 15 | 95 | 66.7 | 34.9 | 12.7 | 2 | 4-16 | 1.9 |
| 20 | 131 | 55 | 20 | 115 | 82.6 | 42.9 | 14.3 | 2 | 4-19 | 2.9 |
| 25 | 134 | 59 | 25 | 125 | 88.9 | 50.8 | 15.9 | 2 | 4-19 | 3.7 |

| Specification | |
|---------------|-----|
| Fluid | |
| Press. | MPa |
| Temp. | ℃ |

TYPE TSD-42F STEAM TRAP
スチームトラップ

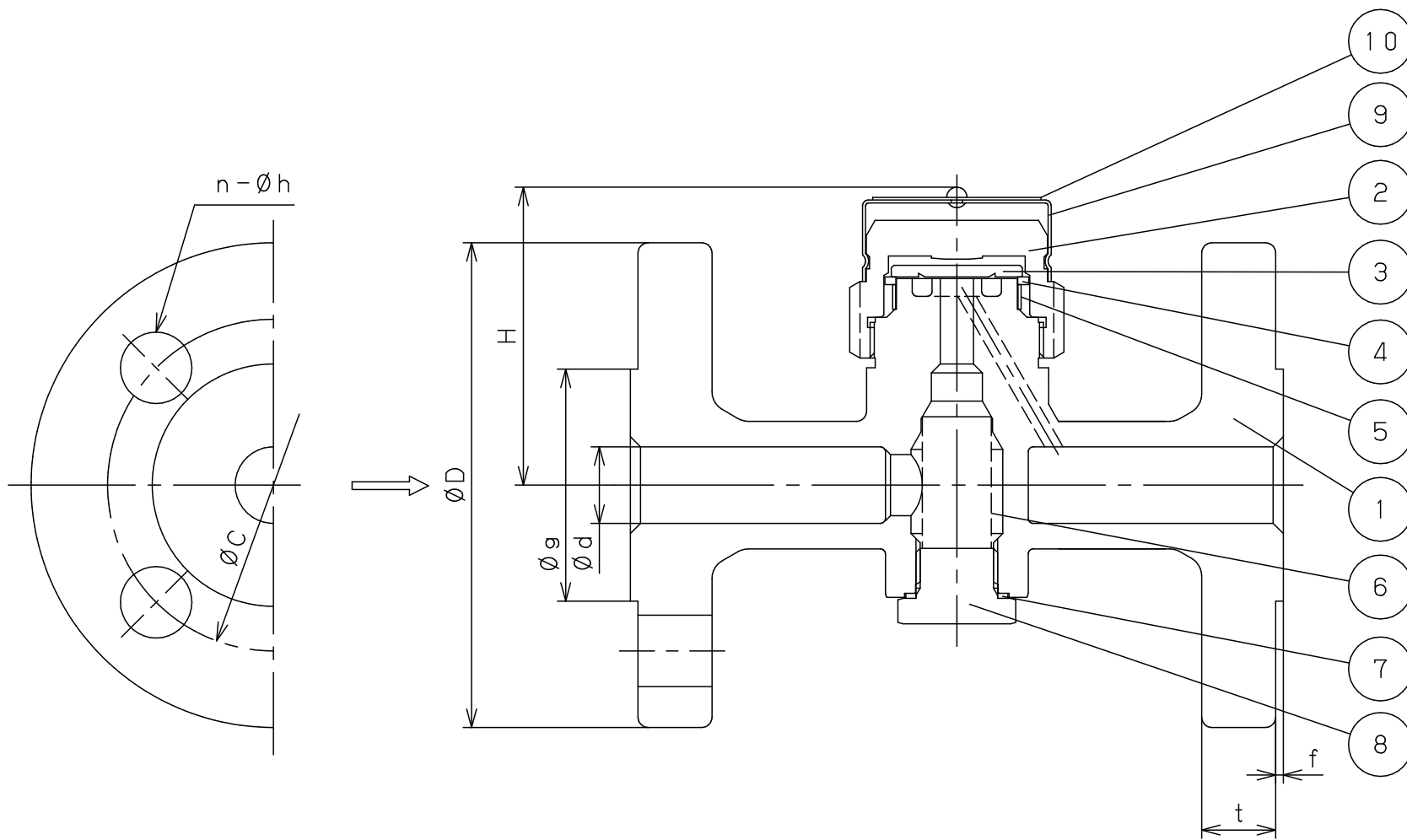
| | |
|------------|----------------|
| Approval | T. Shinjo |
| Check | T. Kitajima |
| Drawing | Y. Wakamatsu |
| Drawing No | Y-1300-3630-1A |
| Date | 15 JAN. 2020 |





Caution

This drawing may contain information like the covert intelligence etc. legally defended. Disclosing the content of this drawing and information etc. for the production of trial product and mass-produced goods or to the third party are prohibited. Yoshitake inc.



| | | | | | |
|-----|---------------|----------------------|-----------|----------|-------|
| 10 | Name Plate | Aluminium | 銘板 | A1050P | 1 |
| 9 | Heating Cover | Carbon Steel | 保温カバー | SPC | 1 |
| 8 | Strainer Cap | Stainless Steel | ストレーナキャップ | SUS304 | 1 |
| 7 | Gasket | Stainless Steel | ガスケット | SUS304 | 1 |
| 6 | Strainer | Stainless Steel | ストレーナ | SUS304 | 1 |
| 5 | Bi-Metal | — | バイメタル | — | 1 |
| 4 | Ring | Stainless Steel | リング | SUS304 | 1 |
| 3 | Disc | Stainless Steel | ディスク | SUS420J2 | 1 |
| 2 | Cap A | Stainless Steel | キャップ A | SUS304 | 1 |
| 1 | Body | Cast Stainless Steel | 本体 | SCS2A | 1 |
| No. | Name of Parts | Material | 部品名 | 材質 | Q. TY |

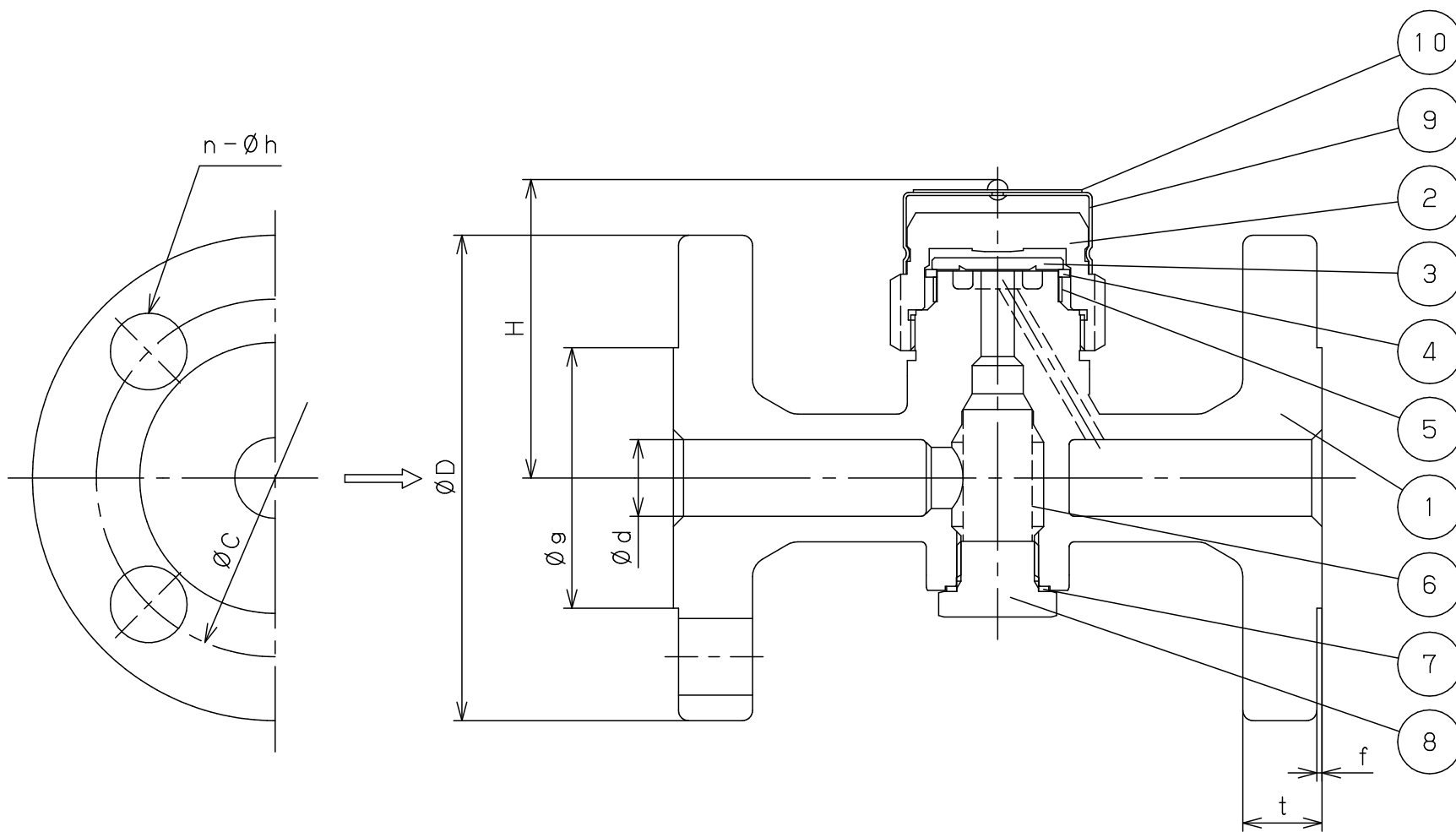
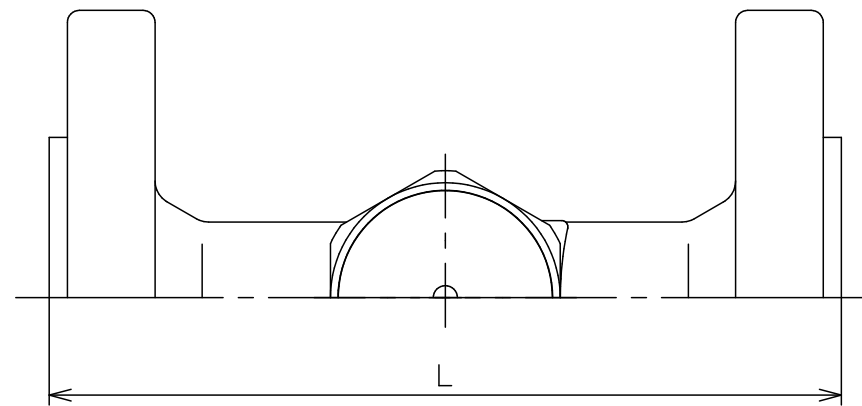
| size | L | H | d | Flange ASME (ANSI) 600lb | | | | | | Weight (kg) |
|------|-----|----|----|--------------------------|------|------|------|---|------|-------------|
| | | | | D | C | g | t | f | n-Øh | |
| 15 | 141 | 53 | 15 | 95 | 66.7 | 34.9 | 14.3 | 7 | 4-16 | 2.1 |
| 20 | 144 | 55 | 20 | 115 | 82.6 | 42.9 | 15.9 | 7 | 4-19 | 3.2 |
| 25 | 148 | 59 | 25 | 125 | 88.9 | 50.8 | 17.5 | 7 | 4-19 | 4.1 |

| Specification | |
|---------------|-----|
| Fluid | |
| Press. | MPa |
| Temp. | ℃ |

TYPE TSD-42F STEAM TRAP
スチームトラップ

| | |
|------------|----------------|
| Approval | T. Shinjo |
| Check | T. Kitajima |
| Drawing | Y. Wakamatsu |
| Drawing No | Y-1300-3684-1A |
| Date | 15 JAN. 2020 |





Caution

This drawing may contain information like the covert intelligence etc. legally defended. Disclosing the content of this drawing and information etc. for the production of trial product and mass-produced goods or to the third party are prohibited. Yoshitake inc.

| | | | | | |
|-----|---------------|----------------------|-----------|----------|-------|
| 10 | Name Plate | Aluminium | 銘板 | A1050P | 1 |
| 9 | Heating Cover | Carbon Steel | 保温カバー | SPC | 1 |
| 8 | Strainer Cap | Stainless Steel | ストレーナキャップ | SUS304 | 1 |
| 7 | Gasket | Stainless Steel | ガスケット | SUS304 | 1 |
| 6 | Strainer | Stainless Steel | ストレーナ | SUS304 | 1 |
| 5 | Bi-Metal | — | バイメタル | — | 1 |
| 4 | Ring | Stainless Steel | リング | SUS304 | 1 |
| 3 | Disc | Stainless Steel | ディスク | SUS420J2 | 1 |
| 2 | Cap A | Stainless Steel | キャップ A | SUS304 | 1 |
| 1 | Body | Cast Stainless Steel | 本体 | SCS2A | 1 |
| No. | Name of Parts | Material | 部品名 | 材質 | Q. TY |

| size | L | H | Flange JIS 10KRF (mm) | | | | | | | Weight (kg) |
|------|-----|----|-----------------------|-----|----|----|----|---|------|-------------|
| | | | d | D | C | g | t | f | n-Øh | |
| 15 | 127 | 53 | 15 | 95 | 70 | 51 | 14 | 1 | 4-15 | 2.0 |
| 20 | 131 | 55 | 20 | 100 | 75 | 56 | 16 | 1 | 4-15 | 2.4 |
| 25 | 131 | 59 | 25 | 125 | 90 | 67 | 16 | 1 | 4-19 | 3.5 |

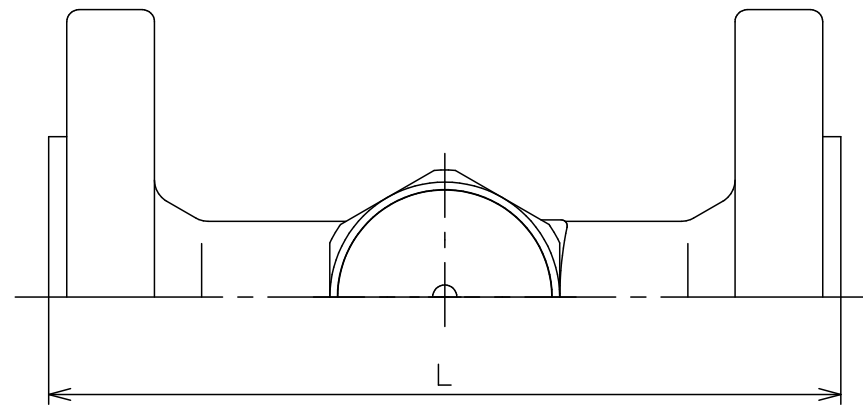
※Thickness of Flange : t=JIS 20K

| Specification | |
|---------------|-----|
| Fluid | |
| Press. | MPa |
| Temp. | ℃ |

TYPE TSD-42F STEAM TRAP
スチームトラップ

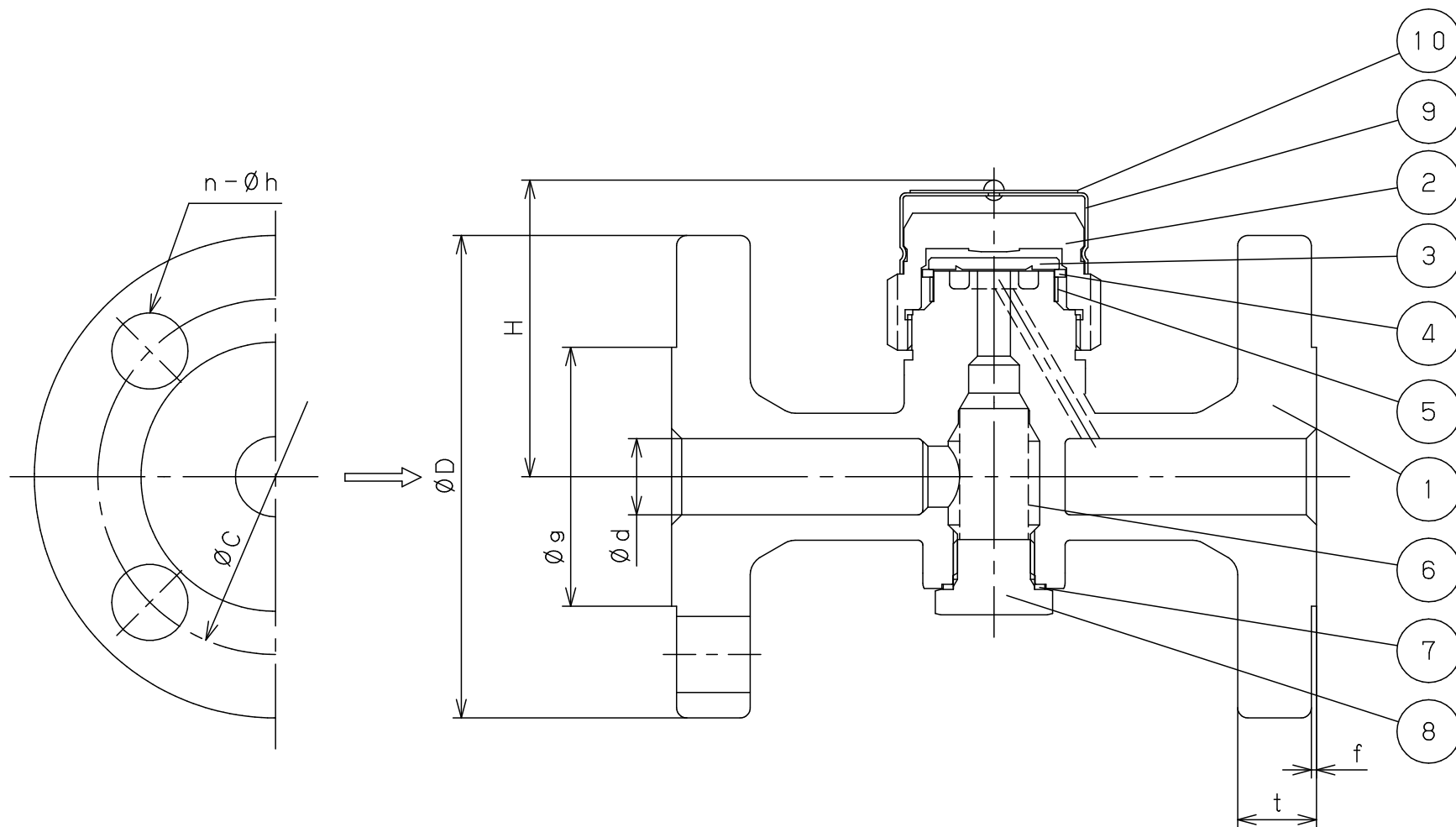
| | |
|------------|----------------|
| Approval | T. Shinjo |
| Check | T. Kitajima |
| Drawing | T. Shinoda |
| Drawing No | Y-1300-3606-1A |
| Date | 21 MAR. 2018 |





Caution

This drawing may contain information like the covert intelligence etc. legally defended. Disclosing the content of this drawing and information etc. for the production of trial product and mass-produced goods or to the third party are prohibited. Yoshitake inc.



| | | | | | |
|-----|---------------|----------------------|-----------|----------|-------|
| 10 | Name Plate | Aluminium | 銘板 | A1050P | 1 |
| 9 | Heating Cover | Carbon Steel | 保温カバー | SPC | 1 |
| 8 | Strainer Cap | Stainless Steel | ストレーナキャップ | SUS304 | 1 |
| 7 | Gasket | Stainless Steel | ガスケット | SUS304 | 1 |
| 6 | Strainer | Stainless Steel | ストレーナ | SUS304 | 1 |
| 5 | Bi-Metal | — | バイメタル | — | 1 |
| 4 | Ring | Stainless Steel | リング | SUS304 | 1 |
| 3 | Disc | Stainless Steel | ディスク | SUS420J2 | 1 |
| 2 | Cap A | Stainless Steel | キャップ A | SUS304 | 1 |
| 1 | Body | Cast Stainless Steel | 本体 | SCS2A | 1 |
| No. | Name of Parts | Material | 部品名 | 材質 | Q. TY |

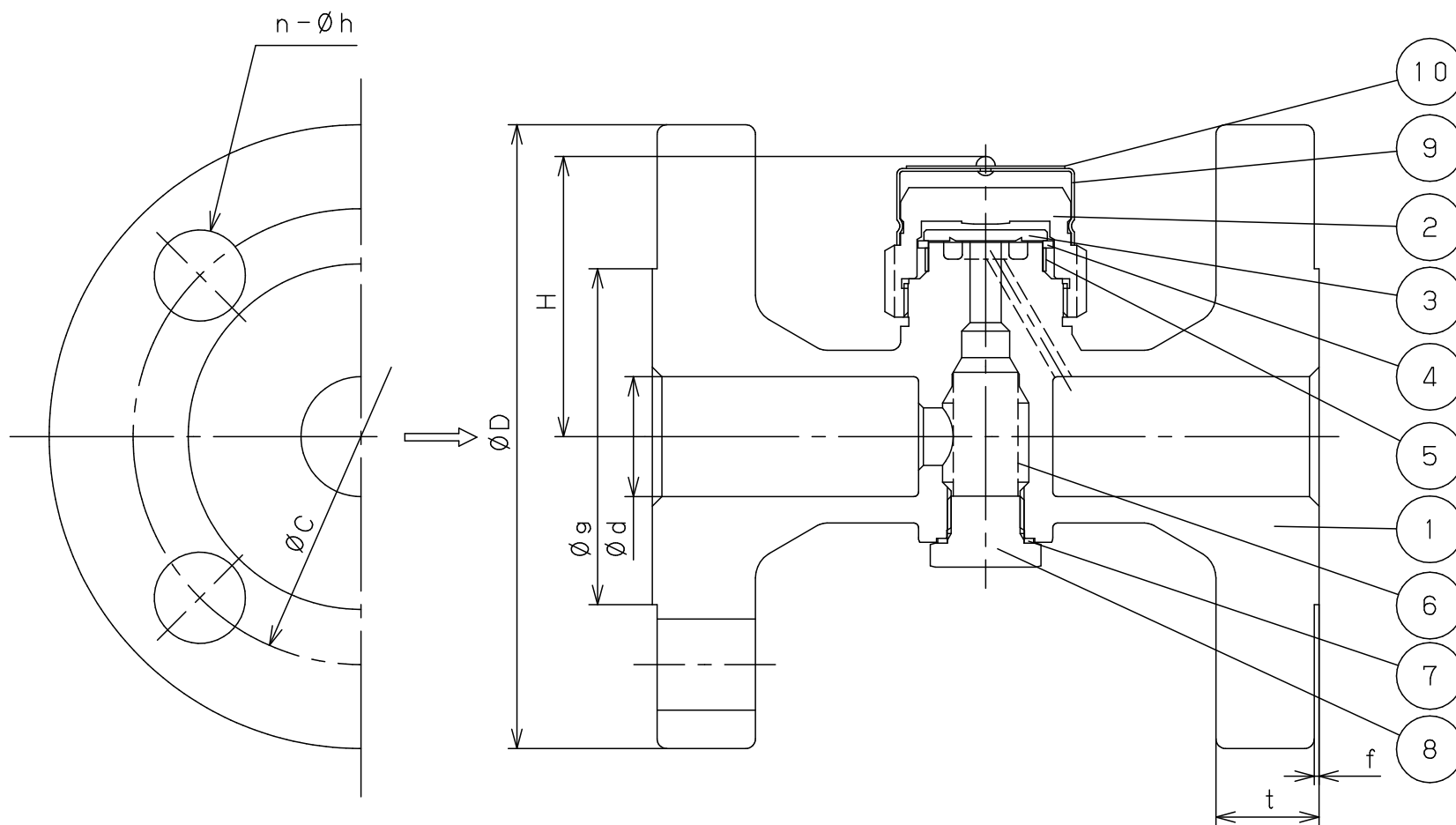
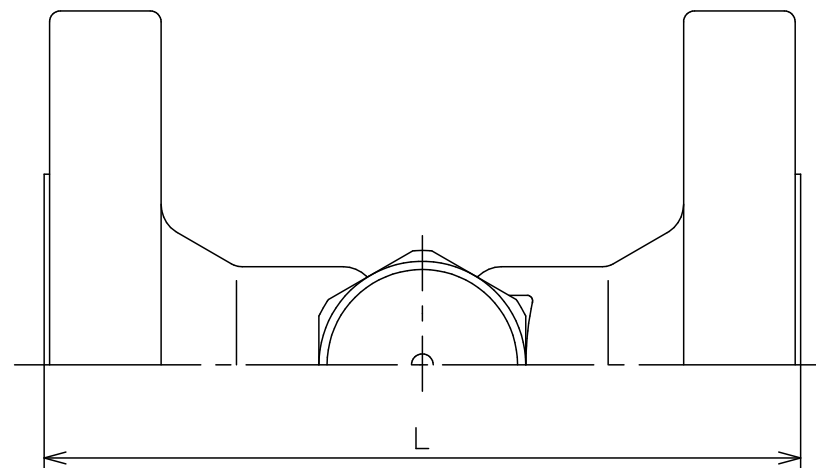
| size | L | H | Flange JIS 20KRF (mm) | | | | | | | Weight (kg) |
|------|-----|----|-----------------------|-----|----|----|----|---|------|-------------|
| | | | d | D | C | g | t | f | n-Øh | |
| 15 | 127 | 53 | 15 | 95 | 70 | 51 | 14 | 1 | 4-15 | 2.0 |
| 20 | 131 | 55 | 20 | 100 | 75 | 56 | 16 | 1 | 4-15 | 2.4 |
| 25 | 131 | 59 | 25 | 125 | 90 | 67 | 16 | 1 | 4-19 | 3.5 |

| Specification | |
|---------------|-----|
| Fluid | |
| Press. | MPa |
| Temp. | ℃ |

TYPE TSD-42F STEAM TRAP
スチームトラップ

| | |
|------------|----------------|
| Approval | T. Shinjo |
| Check | T. Kitajima |
| Drawing | T. Shinoda |
| Drawing No | Y-1300-3610-1A |
| Date | 21 MAR. 2018 |





Caution
 This drawing may contain information like the covert intelligence etc. legally defended.
 Disclosing the content of this drawing and information etc. for the production of trial product and mass-produced goods or to the third party are prohibited.
 Yoshitake inc.

| | | | | | |
|-----|---------------|----------------------|-----------|----------|-------|
| 10 | Name Plate | Aluminium | 銘板 | A1050P | 1 |
| 9 | Heating Cover | Carbon Steel | 保温カバー | SPC | 1 |
| 8 | Strainer Cap | Stainless Steel | ストレーナキャップ | SUS304 | 1 |
| 7 | Gasket | Stainless Steel | ガスケット | SUS304 | 1 |
| 6 | Strainer | Stainless Steel | ストレーナ | SUS304 | 1 |
| 5 | Bi-Metal | — | バイメタル | — | 1 |
| 4 | Ring | Stainless Steel | リング | SUS304 | 1 |
| 3 | Disc | Stainless Steel | ディスク | SUS420J2 | 1 |
| 2 | Cap A | Stainless Steel | キャップ A | SUS304 | 1 |
| 1 | Body | Cast Stainless Steel | 本体 | SCS2A | 1 |
| No. | Name of Parts | Material | 部品名 | 材質 | Q. TY |

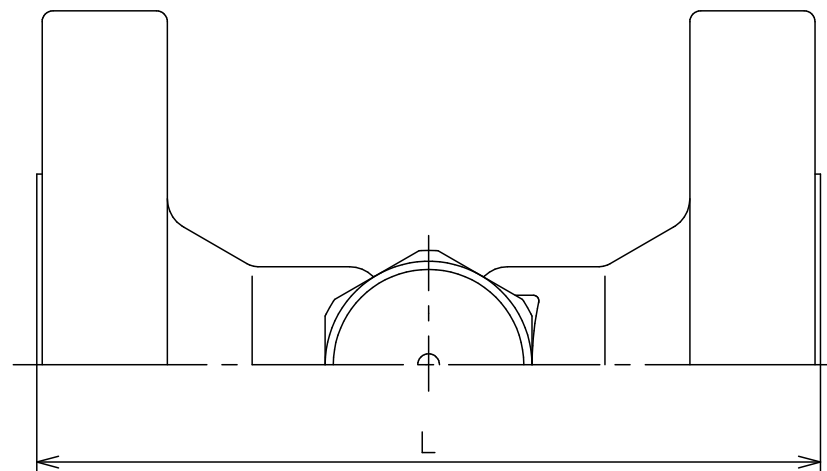
| size | L | H | Flange JIS 30KRF (mm) | | | | | | | Weight (kg) |
|------|-----|----|-----------------------|-----|----|----|----|---|------|-------------|
| | | | d | D | C | g | t | f | n-Øh | |
| 15 | 135 | 53 | 15 | 115 | 80 | 55 | 18 | 1 | 4-19 | 3.4 |
| 20 | 135 | 55 | 20 | 120 | 85 | 60 | 18 | 1 | 4-19 | 3.6 |
| 25 | 139 | 59 | 25 | 130 | 95 | 70 | 20 | 1 | 4-19 | 4.6 |

| Specification | |
|---------------|-----|
| Fluid | |
| Press. | MPa |
| Temp. | ℃ |

TYPE TSD-42F STEAM TRAP
 スチームトラップ

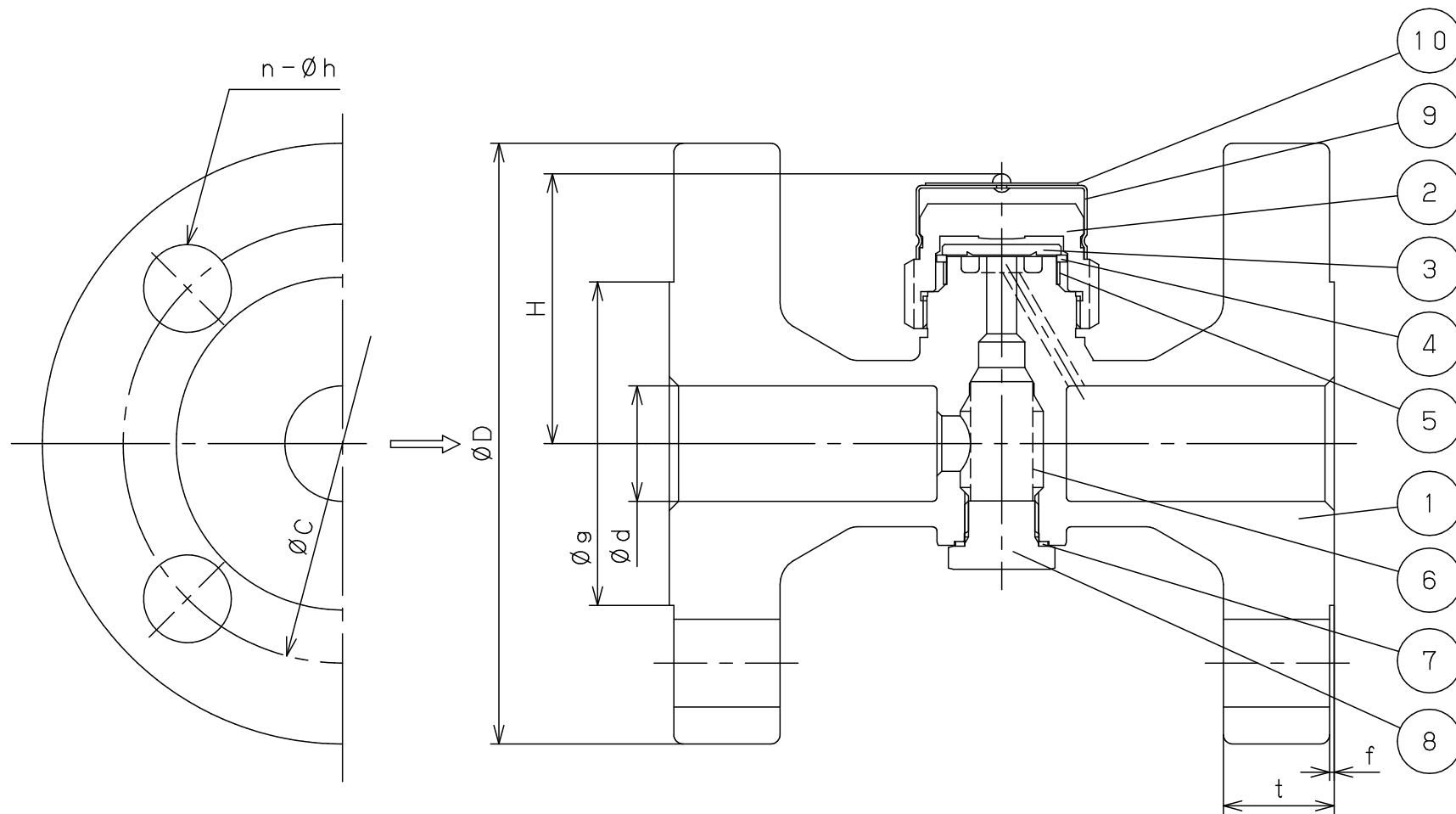
| | |
|------------|----------------|
| Approval | T. Shinjo |
| Check | T. Kitajima |
| Drawing | T. Shinoda |
| Drawing No | Y-1300-3612-1A |
| Date | 21 MAR. 2018 |





Caution

This drawing may contain information like the covert intelligence etc. legally defended. Disclosing the content of this drawing and information etc. for the production of trial product and mass-produced goods or to the third party are prohibited. Yoshitake inc.



| | | | | | |
|-----|---------------|----------------------|-----------|----------|-------|
| 10 | Name Plate | Aluminium | 銘板 | A1050P | 1 |
| 9 | Heating Cover | Carbon Steel | 保温カバー | SPC | 1 |
| 8 | Strainer Cap | Stainless Steel | ストレーナキャップ | SUS304 | 1 |
| 7 | Gasket | Stainless Steel | ガスケット | SUS304 | 1 |
| 6 | Strainer | Stainless Steel | ストレーナ | SUS304 | 1 |
| 5 | Bi-Metal | — | バイメタル | — | 1 |
| 4 | Ring | Stainless Steel | リング | SUS304 | 1 |
| 3 | Disc | Stainless Steel | ディスク | SUS420J2 | 1 |
| 2 | Cap A | Stainless Steel | キャップ A | SUS304 | 1 |
| 1 | Body | Cast Stainless Steel | 本体 | SCS2A | 1 |
| No. | Name of Parts | Material | 部品名 | 材質 | Q. TY |

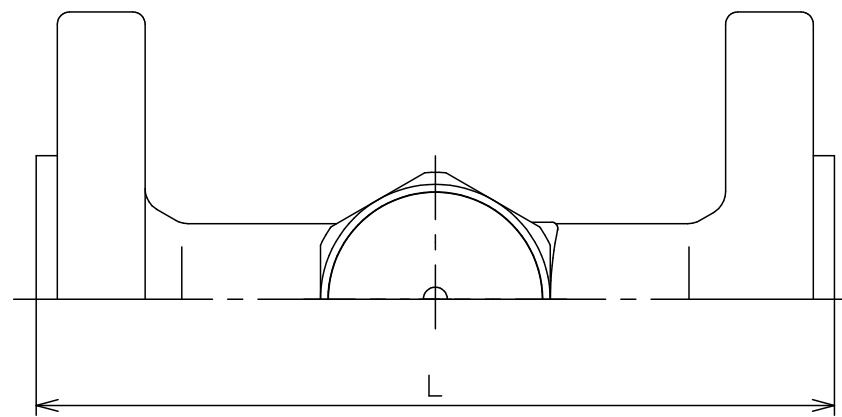
| size | L | H | Flange JIS 40KRF (mm) | | | | | | | Weight (kg) |
|------|-----|----|-----------------------|-----|----|----|----|---|------|-------------|
| | | | d | D | C | g | t | f | n-Øh | |
| 15 | 139 | 53 | 15 | 115 | 80 | 52 | 20 | 1 | 4-19 | 3.6 |
| 20 | 139 | 55 | 20 | 120 | 85 | 55 | 20 | 1 | 4-19 | 4.0 |
| 25 | 144 | 59 | 25 | 130 | 95 | 60 | 22 | 1 | 4-19 | 5.0 |

| Specification | |
|---------------|-----|
| Fluid | |
| Press. | MPa |
| Temp. | ℃ |

TYPE TSD-42F STEAM TRAP
スチームトラップ

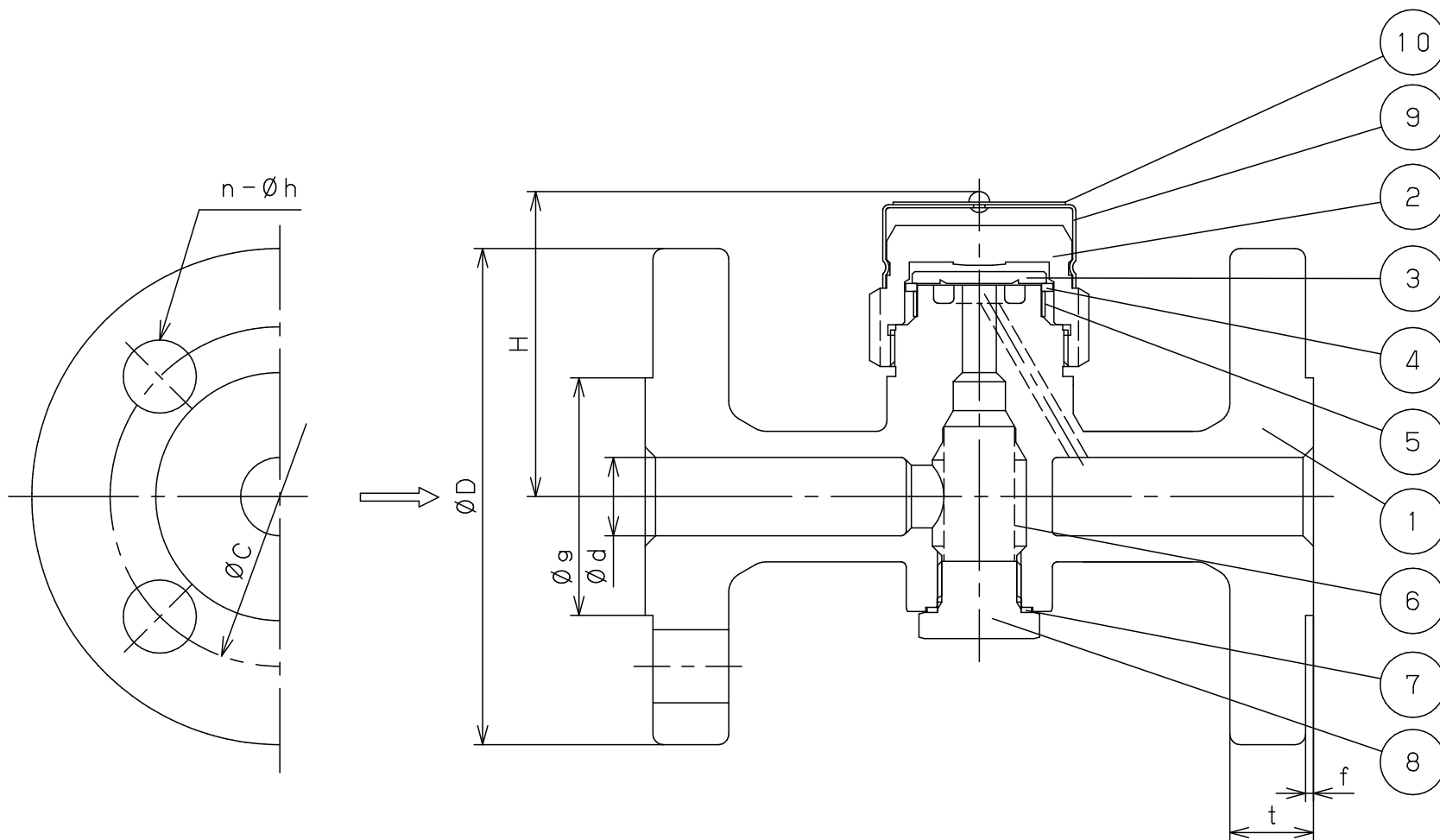
| | |
|------------|----------------|
| Approval | T. Shinjo |
| Check | T. Kitajima |
| Drawing | T. Shinoda |
| Drawing No | Y-1300-3693-1A |
| Date | 21 MAR. 2018 |





Caution

This drawing may contain information like the covert intelligence etc. legally defended. Disclosing the content of this drawing and information etc. for the production of trial product and mass-produced goods or to the third party are prohibited. Yoshitake inc.



| | | | | | |
|-----|---------------|----------------------|-----------|----------|-------|
| 10 | Name Plate | Aluminium | 銘板 | A1050P | 1 |
| 9 | Heating Cover | Carbon Steel | 保温カバー | SPC | 1 |
| 8 | Strainer Cap | Stainless Steel | ストレーナキャップ | SUS304 | 1 |
| 7 | Gasket | Stainless Steel | ガスケット | SUS304 | 1 |
| 6 | Strainer | Stainless Steel | ストレーナ | SUS304 | 1 |
| 5 | Bi-Metal | — | バイメタル | — | 1 |
| 4 | Ring | Stainless Steel | リング | SUS304 | 1 |
| 3 | Disc | Stainless Steel | ディスク | SUS420J2 | 1 |
| 2 | Cap A | Stainless Steel | キャップ A | SUS304 | 1 |
| 1 | Body | Cast Stainless Steel | 本体 | SCS2A | 1 |
| No. | Name of Parts | Material | 部品名 | 材質 | Q. TY |

| size | L | H | d | Flange PN 25/40 | | | | | | Weight (kg) |
|------|-----|----|----|-----------------|----|----|----|---|------|-------------|
| | | | | D | C | g | t | f | n-Øh | |
| 15 | 128 | 53 | 15 | 95 | 65 | 45 | 16 | 2 | 4-14 | 2.0 |
| 20 | 132 | 55 | 20 | 105 | 75 | 58 | 18 | 2 | 4-14 | 2.7 |
| 25 | 132 | 59 | 25 | 115 | 85 | 68 | 18 | 2 | 4-14 | 3.2 |

| Specification | |
|---------------|-----|
| Fluid | |
| Press. | MPa |
| Temp. | ℃ |

TYPE TSD-42F STEAM TRAP
スチームトラップ

| | |
|------------|----------------|
| Approval | T. Shinjo |
| Check | T. Kitajima |
| Drawing | T. Shinoda |
| Drawing No | Y-1300-3699-1A |
| Date | 21 MAR. 2018 |

