

Caution

This drawing may contain information like the covert intelligence etc. legally defended. Disclosing the content of this drawing and information etc. for the production of trial product and mass-produced goods or to the third party are prohibited. Yoshitake inc.

10	Name Plate	Aluminium	銘板	A1050P	1
9	Heating Cover	Carbon Steel	保温カバー	SPC	1
8	Strainer Cap	Stainless Steel	ストレーナキャップ	SUS304	1
7	Gasket	Stainless Steel	ガスケット	SUS304	1
6	Strainer	Stainless Steel	ストレーナ	SUS304	1
5	Bi-Metal	—	バイメタル	—	1
4	Ring	Stainless Steel	リング	SUS304	1
3	Disc	Stainless Steel	ディスク	SUS420J2	1
2	Cap A	Stainless Steel	キャップ A	SUS304	1
1	Body	Cast Stainless Steel	本体	SCS2A	1
No.	Name of Parts	Material	部品名	材質	Q. TY

size	L	H	Flange JIS 10KRF (mm)							Weight (kg)
			d	D	C	g	t	f	n-Øh	
15	127	53	15	95	70	51	14	1	4-15	2.0
20	131	55	20	100	75	56	16	1	4-15	2.4
25	131	59	25	125	90	67	16	1	4-19	3.5

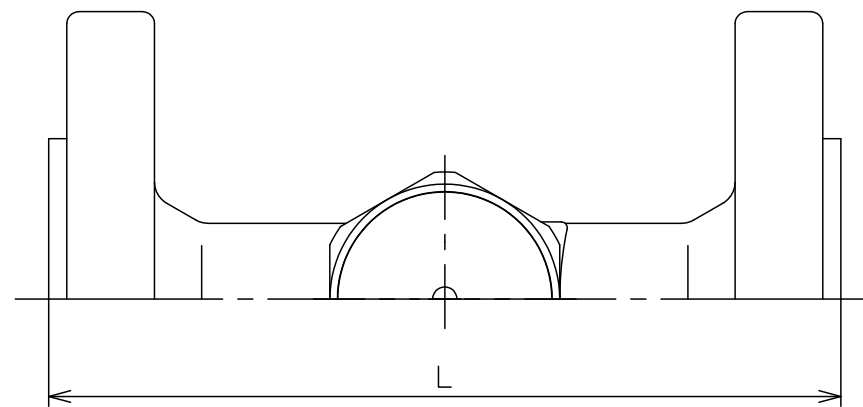
※Thickness of Flange : t=JIS 20K

Specification	
Fluid	
Press.	MPa
Temp.	℃

TYPE TSD-42F STEAM TRAP
スチームトラップ

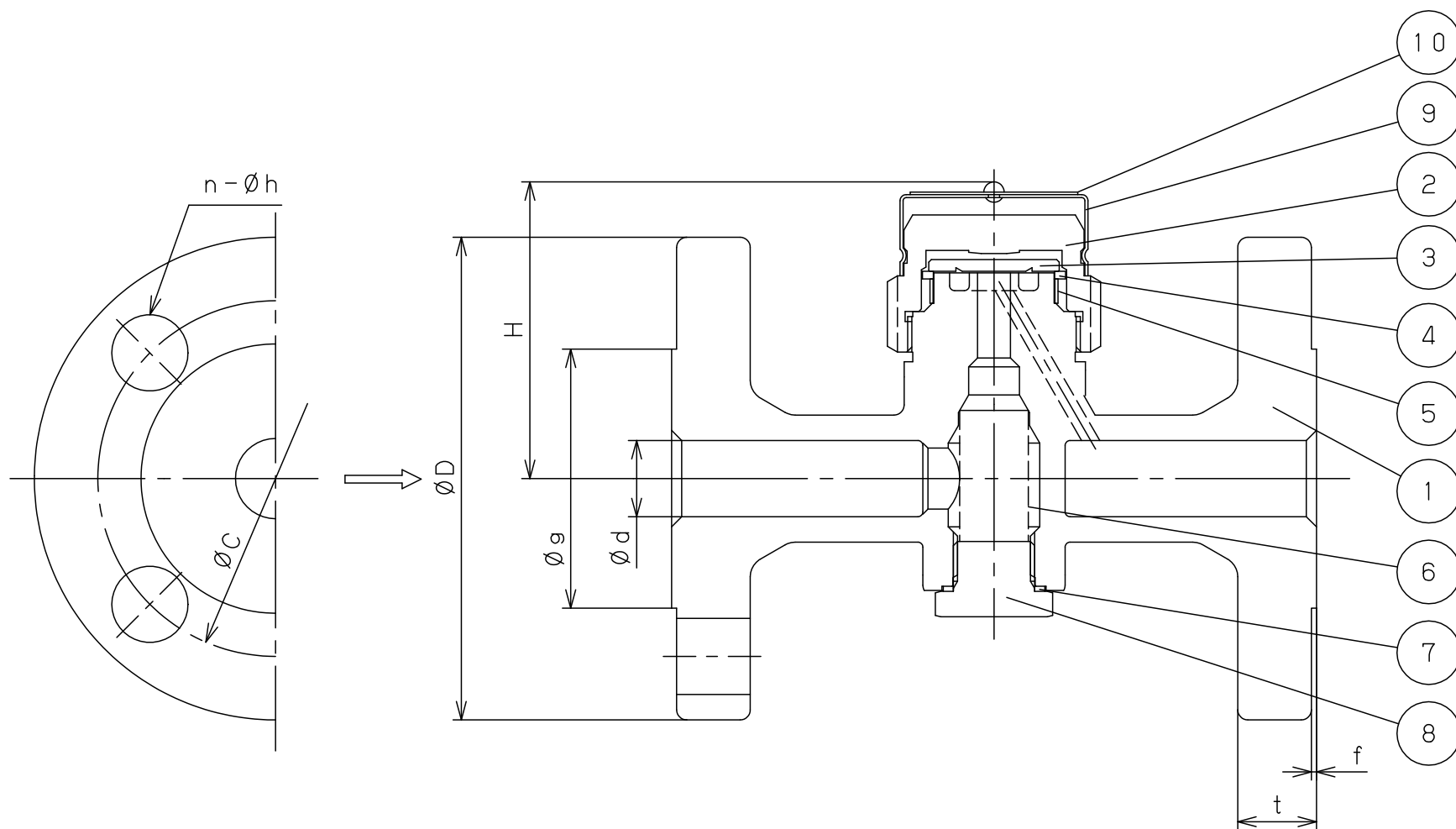
Approval	T. Shinjo
Check	T. Kitajima
Drawing	T. Shinoda
Drawing No	Y-1300-3606-1A
Date	21 MAR. 2018





Caution

This drawing may contain information like the covert intelligence etc. legally defended. Disclosing the content of this drawing and information etc. for the production of trial product and mass-produced goods or to the third party are prohibited. Yoshitake inc.



10	Name Plate	Aluminium	銘板	A1050P	1
9	Heating Cover	Carbon Steel	保温カバー	SPC	1
8	Strainer Cap	Stainless Steel	ストレーナキャップ	SUS304	1
7	Gasket	Stainless Steel	ガスケット	SUS304	1
6	Strainer	Stainless Steel	ストレーナ	SUS304	1
5	Bi-Metal	—	バイメタル	—	1
4	Ring	Stainless Steel	リング	SUS304	1
3	Disc	Stainless Steel	ディスク	SUS420J2	1
2	Cap A	Stainless Steel	キャップ A	SUS304	1
1	Body	Cast Stainless Steel	本体	SCS2A	1
No.	Name of Parts	Material	部品名	材質	Q. TY

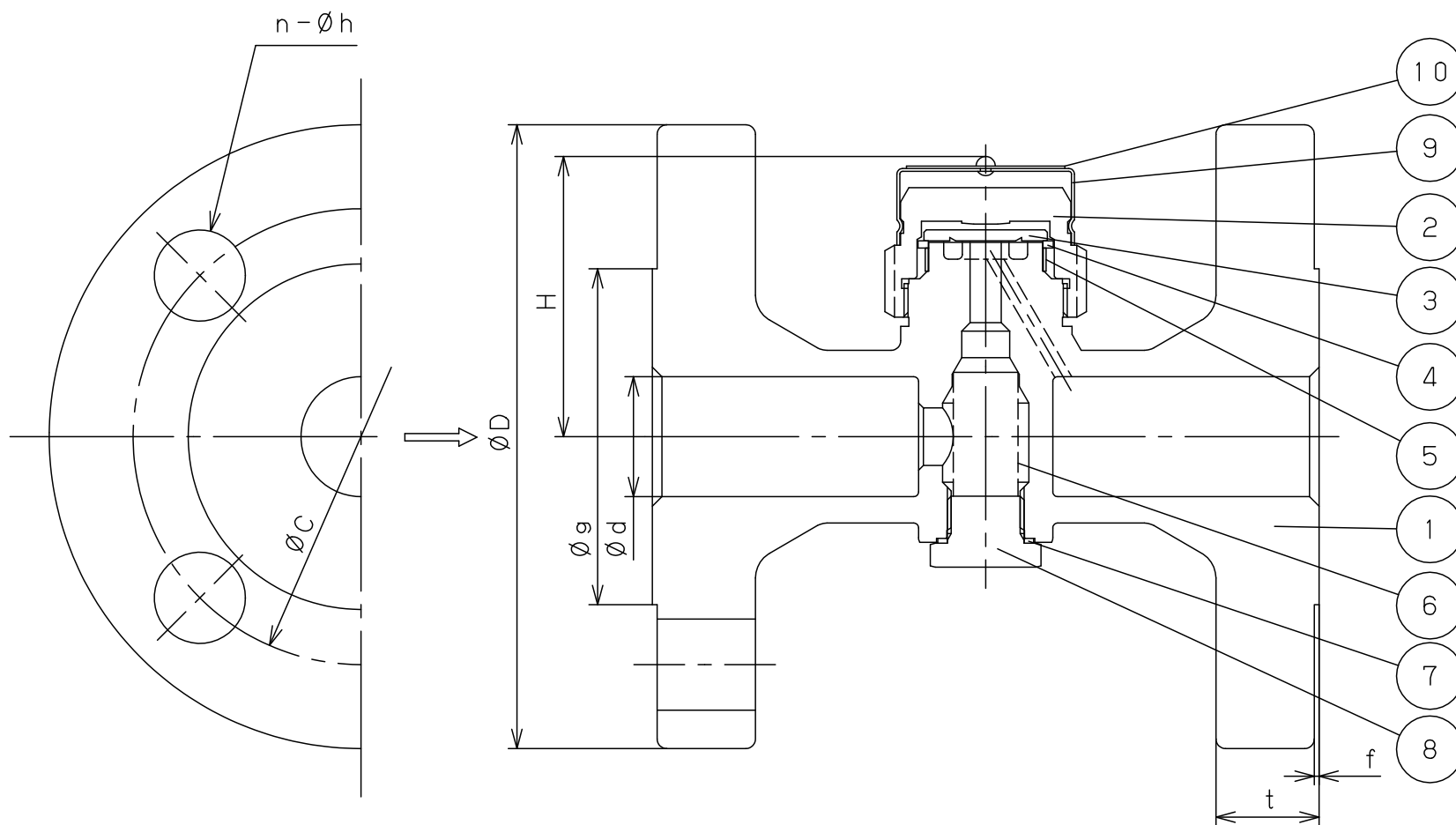
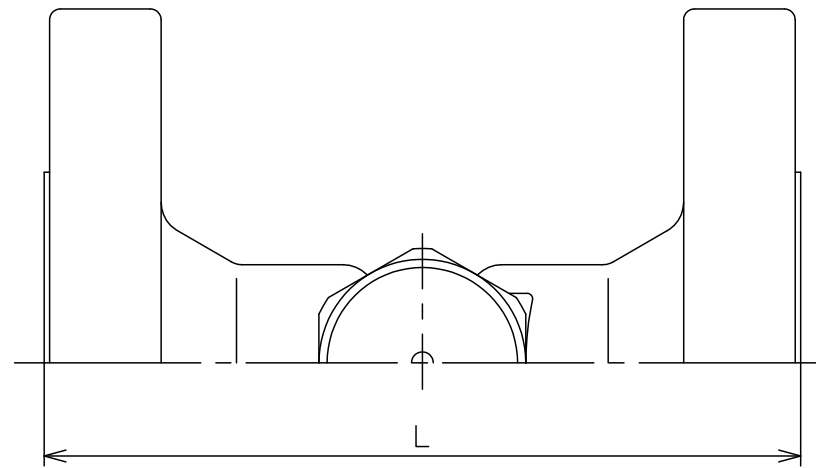
size	L	H	Flange JIS 20KRF (mm)							Weight (kg)
			d	D	C	g	t	f	n-Øh	
15	127	53	15	95	70	51	14	1	4-15	2.0
20	131	55	20	100	75	56	16	1	4-15	2.4
25	131	59	25	125	90	67	16	1	4-19	3.5

Specification	
Fluid	
Press.	MPa
Temp.	℃

TYPE TSD-42F STEAM TRAP
スチームトラップ

Approval	T. Shinjo
Check	T. Kitajima
Drawing	T. Shinoda
Drawing No	Y-1300-3610-1A
Date	21 MAR. 2018





Caution
 This drawing may contain information like the covert intelligence etc. legally defended.
 Disclosing the content of this drawing and information etc. for the production of trial product and mass-produced goods or to the third party are prohibited.
 Yoshitake inc.

10	Name Plate	Aluminium	銘板	A1050P	1
9	Heating Cover	Carbon Steel	保温カバー	SPC	1
8	Strainer Cap	Stainless Steel	ストレーナキャップ	SUS304	1
7	Gasket	Stainless Steel	ガスケット	SUS304	1
6	Strainer	Stainless Steel	ストレーナ	SUS304	1
5	Bi-Metal	—	バイメタル	—	1
4	Ring	Stainless Steel	リング	SUS304	1
3	Disc	Stainless Steel	ディスク	SUS420J2	1
2	Cap A	Stainless Steel	キャップ A	SUS304	1
1	Body	Cast Stainless Steel	本体	SCS2A	1
No.	Name of Parts	Material	部品名	材質	Q. TY

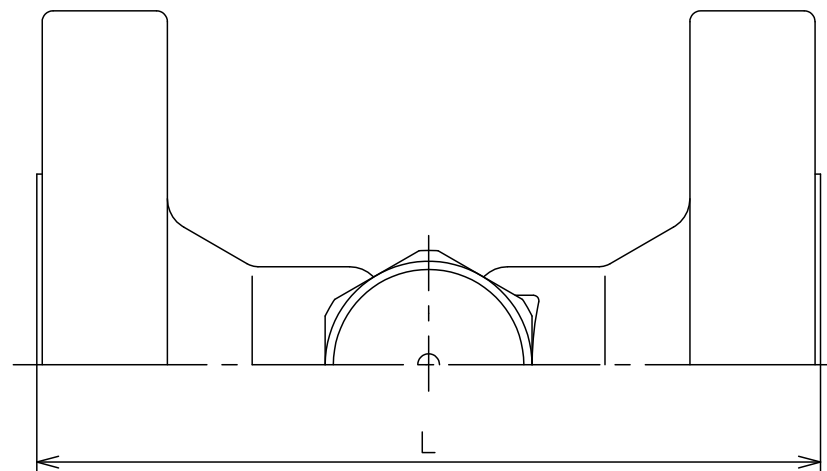
size	L	H	Flange JIS 30KRF (mm)							Weight (kg)
			d	D	C	g	t	f	n-Øh	
15	135	53	15	115	80	55	18	1	4-19	3.4
20	135	55	20	120	85	60	18	1	4-19	3.6
25	139	59	25	130	95	70	20	1	4-19	4.6

Specification	
Fluid	
Press.	MPa
Temp.	℃

TYPE TSD-42F STEAM TRAP
 スチームトラップ

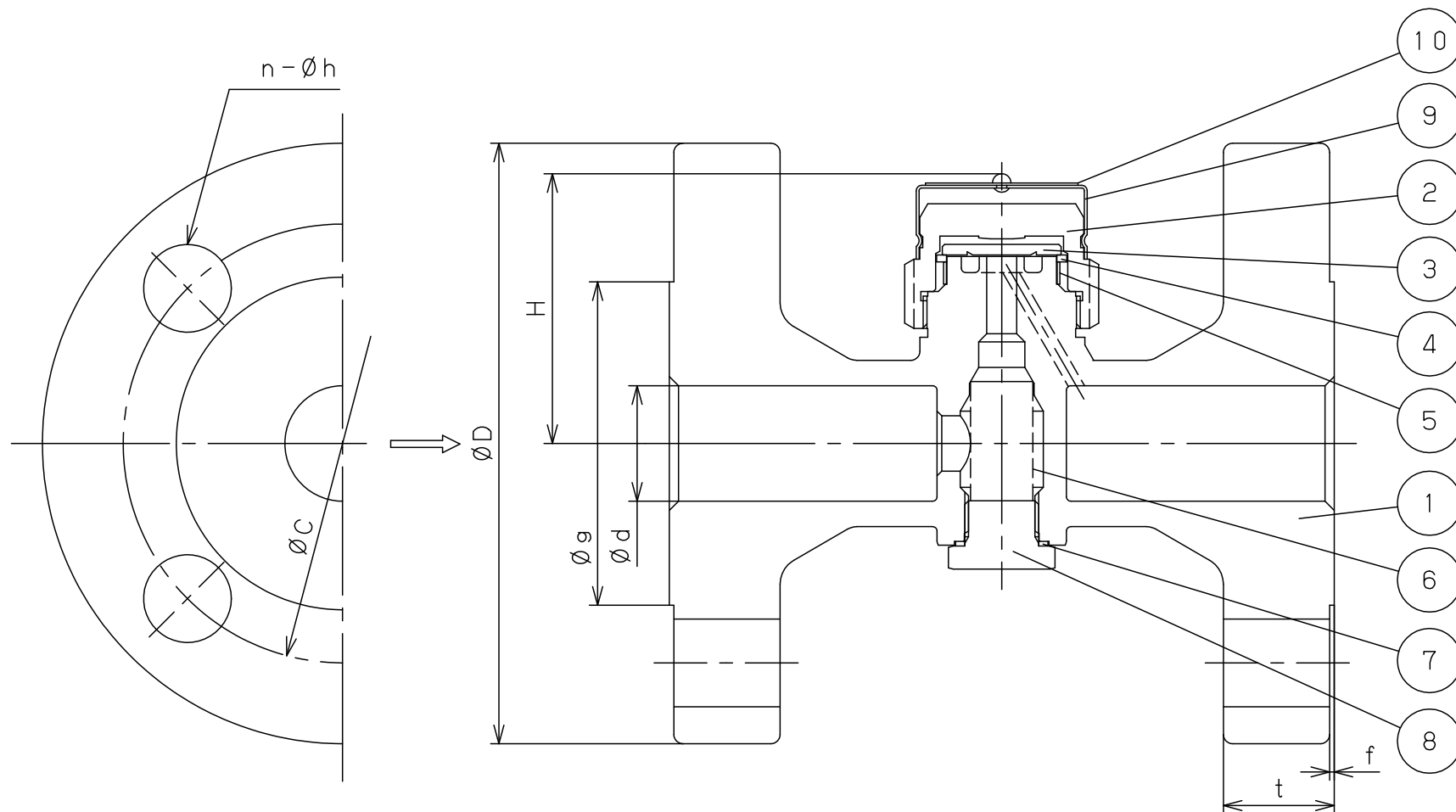
Approval	T. Shinjo
Check	T. Kitajima
Drawing	T. Shinoda
Drawing No	Y-1300-3612-1A
Date	21 MAR. 2018





Caution

This drawing may contain information like the covert intelligence etc. legally defended. Disclosing the content of this drawing and information etc. for the production of trial product and mass-produced goods or to the third party are prohibited. Yoshitake inc.



10	Name Plate	Aluminium	銘板	A1050P	1
9	Heating Cover	Carbon Steel	保温カバー	SPC	1
8	Strainer Cap	Stainless Steel	ストレーナキャップ	SUS304	1
7	Gasket	Stainless Steel	ガスケット	SUS304	1
6	Strainer	Stainless Steel	ストレーナ	SUS304	1
5	Bi-Metal	—	バイメタル	—	1
4	Ring	Stainless Steel	リング	SUS304	1
3	Disc	Stainless Steel	ディスク	SUS420J2	1
2	Cap A	Stainless Steel	キャップ A	SUS304	1
1	Body	Cast Stainless Steel	本体	SCS2A	1
No.	Name of Parts	Material	部品名	材質	Q. TY

size	L	H	Flange JIS 40KRF (mm)							Weight (kg)
			d	D	C	g	t	f	n-Øh	
15	139	53	15	115	80	52	20	1	4-19	3.6
20	139	55	20	120	85	55	20	1	4-19	4.0
25	144	59	25	130	95	60	22	1	4-19	5.0

Specification	
Fluid	
Press.	MPa
Temp.	℃

TYPE TSD-42F STEAM TRAP
スチームトラップ

Approval	T. Shinjo
Check	T. Kitajima
Drawing	T. Shinoda
Drawing No	Y-1300-3693-1A
Date	21 MAR. 2018

